


Crusader

E N G I N E S

**ILLUSTRATED
PARTS CATALOG
C305/350 CID V-8**

SERIAL NUMBER 68703 AND ABOVE

Contents:	Page
Cylinder Block Assembly (305 CID – 5.0 Liter)	5
Cylinder Block Assembly (350 CID – 5.7 Liter)	7
Crankshaft, Cam, and Piston Assembly (305 CID – 5.0 Liter)	9
Crankshaft, Cam, and Piston Assembly (350 CID – 5.7 Liter)	11
Cylinder Head Assembly (305 CID – 5.0 Liter)	13
Cylinder Head Assembly (350 CID – 5.7 Liter)	15
Intake Manifold Assembly	17
Oil Pan and Oil Pump Assembly	19
Remote Oil Filter Assembly	21
Carburetor Mounting (Quadrajets)	23
Carburetor Assembly (Quadrajets)	25
Fuel Pump and Fuel System (S/N 81833 and Below)	27
Fuel Pump and Fuel System (S/N 81834 and Above)	29
Prestolite Ignition (S/N 83748 and Below)	31
Delco E.S.T. Ignition (S/N 83749 and Above)	33
Alternator Assembly (Motorola) (S/N 77925 and Below)	35
Alternator Assembly (Prestolite) (S/N 77926 and Above)	37
Mando Alternator	39
Starter Motor Assembly	41
Electrical Bracket Assembly (S/N 81833 and Below)	43
Wiring Harness and Electrical Components	45
Engine Component Bracket (S/N 81834 and Above)	47
Exhaust Manifold Assembly	49
Exhaust Systems Options	51
Pulleys, Belts, and Mounting Hardware	53
Raw Water Cooling Components	55
Engine Water Circulation Pump	57
Raw Water Cooling Pump	59
Engine and Transmission Mounts	61
Bellhousing Assembly	63
Transmission and Related Parts (Borg-Warner In-Line)	65
Transmission and Related Parts (Borg-Warner V-Drive)	67
Transmission and Related Parts (Borg-Warner 5000)	69
Transmission and Related Parts (Hurth Gear)	71
Fresh Water Cooling Components (Standard Rear Mount)	73
Fresh Water Cooling System (Standard Front Mount)	75
Fresh Water Cooling System Options	77
Engine Decals	79

“TYPICAL VIEWS ARE SHOWN”

ENGINE ROTATION:

Engine Rotation is identified as “RH” or “LH” with the engine model number. Rotation always is determined from the flywheel end looking toward the front of the engine. In some instances, propeller shaft rotation may be opposite to that of the engine.

When ordering a replacement engine, production block or parts for the engine be certain to check engine rotation. **DO NOT rely on propeller rotation in determining engine rotation.**

LEFT HAND ROTATION is STANDARD ROTATION.

(Flywheel turns counterclockwise, when viewed from flywheel end of engine.)

RIGHT HAND ROTATION is OPPOSITE ROTATION.

(Flywheel turns clockwise, when viewed from flywheel end of engine.)

HOW TO READ THIS PARTS BOOK:

This parts book is designed to be read in the following manner:

1. **Item Number** 24
(Reference number corresponds with number in exploded view)
2. **Part Number** 30248
(Part number for assembly or individual part)
3. **Part Description** **Bolt**, front cover
(Description explains application of part)
4. **Quantity Used** 10
(Quantity shows number of parts used)

=====

Symbols shown throughout parts list are defined here or on bottom of individual parts list page.

- AR = As Required
- OPT= Optional
- NSS= Not Sold Separately
- N/A = Not Available
- S/S = Single Station Control
- D/S = Dual Station Control
- O/S = Over Size
- U/S = Under Size

=====

REPLACEMENT PARTS:



WARNING :

Electrical, ignition and fuel system components on Crusader Engines are designed and manufactured to comply with U. S. Coast Guard rules and regulations to minimize risks of fire or explosion.

Use of replacement electrical, ignition and fuel system components which do not comply with these rules and regulations could result in a fire or explosion hazard and should be avoided.

GASKET AND DECAL KIT NUMBERS:

	<u>Part Number</u>
★ Complete Overhaul Gasket Set (See Note)	22683
▲ Valve Grind Gasket Set	22684
Oil Pan Gasket Set	33615
Intake Manifold Gasket Set	21005
■ Gasket and Decal Set (production block)	22442
Decal Set (305 CID)	22755
Decal Set (350 CID)	22756

NOTE: Complete gasket sets **DO NOT** include the following part which must be ordered separately; (Crankshaft Rear Main Seal, order LH or RH rotation).

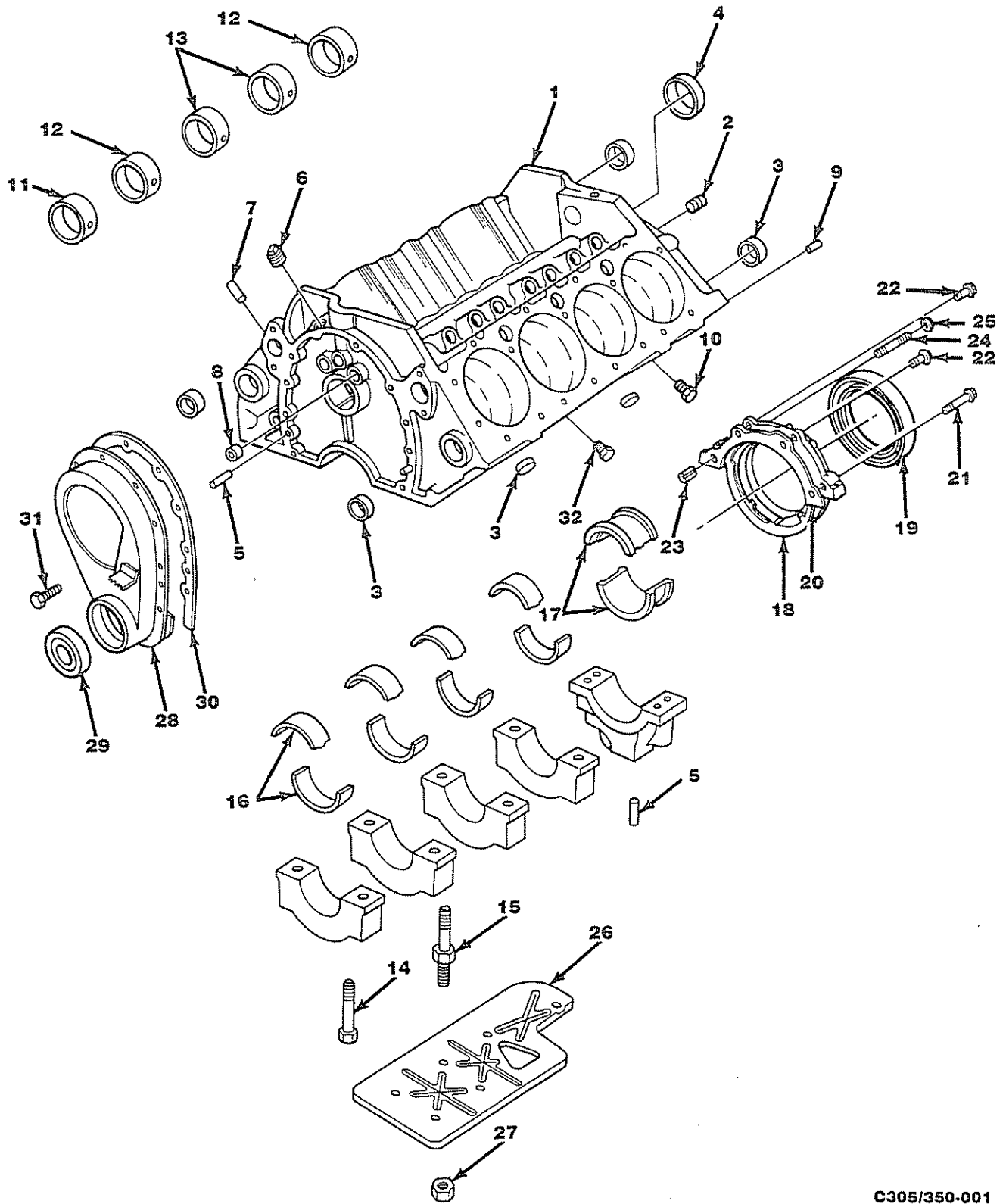
BORG-WARNER MARINE TRANSMISSIONS:

Crusader Engines are equipped with Borg-Warner Transmissions and "V"-drives. If Borg-Warner parts are required, contact your dealer or closest Crusader Parts Distributor for required parts.

Parts books and overhaul manuals are available through Crusader Distributors or you may contact Borg-Warner at the address below for the name and address of the Borg-Warner Distributor servicing your area.

Borg-Warner Automotive, Inc.
 Marine & Industrial U.S.A.
 Theodore Rice Boulevard
 Industrial Park
 New Bedford, MA 02745
 Telephone: (508) 995-1805

MODEL C305/350 CID PARTS BOOK
CYLINDER BLOCK ASSEMBLY - FIGURE 1



C305/350-001

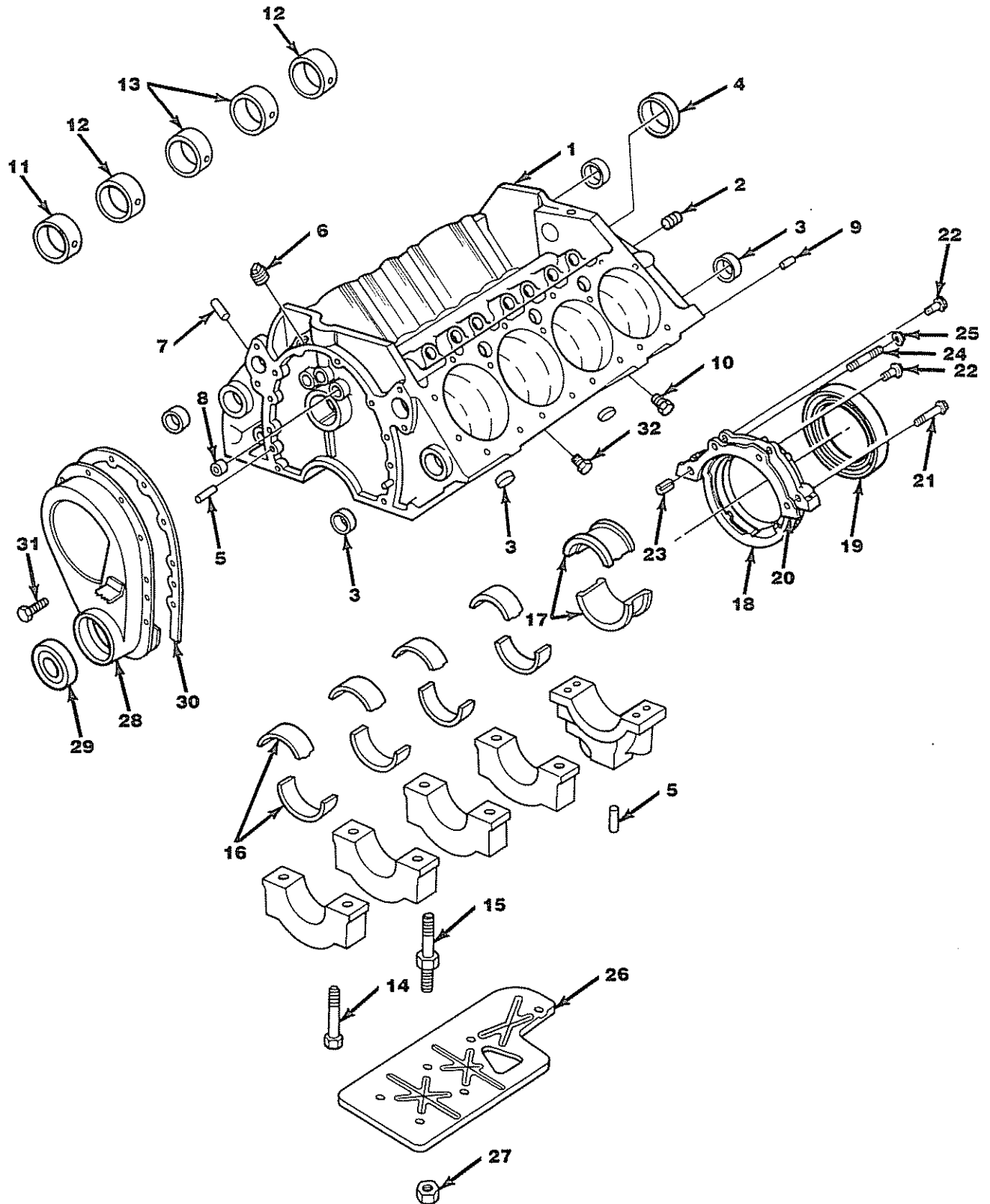
MODEL C305/350 CID PARTS BOOK
CYLINDER BLOCK ASSEMBLY – FIGURE 1

ITEM	PART NO.	DESCRIPTION	QUANTITY	
			LH	RH
*	23200	Production Block Assembly (LH Rotation)	X	
*	23201	Production Block Assembly (RH Rotation)		X
1	NSS	Cylinder Case Assembly		
2	33089	Plug, oil gallery	3	3
3	91330	Core Plug (1-5/8")	8	8
4	20045	Plug, camshaft bearing hole	1	1
5	30157	Pin, dowel — aligning	3	3
6	127950	Pipe Plug (1/8")	1	1
7	585927	Pin, dowel — cylinder head aligning	4	4
8	33714	Plug, oil gallery	3	3
9	30152	Pin, dowel — bellhousing aligning	2	2
10	33089	Plug, oil gallery	1	1
11	33399	Cam Bearing #1	1	1
12	33400	Cam Bearing #2 & 5	2	2
13	33401	Cam Bearing #3 & 4	2	2
14	33083	Bolt, main bearing cap	6	6
15	33316	Stud, main bearing cap	4	4
16	33404	Bearing, crank main (STD)	4	4
16	33164	Bearing, crank main (.001 US)	AR	AR
16	33166	Bearing, crank main (.010 US)	AR	AR
16	33167	Bearing, crank main (.020 US)	AR	AR
17	33405	Bearing, rear main (STD)	1	1
17	33437	Bearing, rear main (.001 US)	AR	AR
17	33170	Bearing, rear main (.010 US)	AR	AR
17	33171	Bearing, rear main (.020 US)	AR	AR
18	30597	Retainer Assembly, Seal (LH Rotation)	1	
19	33617	Oil Seal, rear main (LH)	1	
18A	30596	Retainer Assembly, Seal (RH Rotation)		1
19A	33618	Oil Seal, rear main (RH)		1
20	33620	Gasket, oil seal retainer ★	1	1
21	33688	Bolt, oil seal retainer – long	1	1
22	33689	Bolt, oil seal retainer	2	2
23	33685	Dowel Pin	1	1
24	33686	Stud, oil seal retainer	1	1
25	33599	Nut, oil seal retainer stud	1	1
26	33317	Baffle Assembly, oil pan	1	1
27	33124	Nut, baffle mounting stud	5	5
28	33307	Cover, crankcase front (LH Rotation)	1	
29	33381	Oil Seal, front cover ★	1	
28A	33308	Cover, crankcase front (RH Rotation)		1
29A	33377	Oil Seal, front cover ★		1
30	20129	Gasket, front cover ★	1	1
31	20790	Bolt, front cover	10	10
32	127951	Drain Plug, cylinder block	2	2

305 CID – 5.0 LITER

NOTE: Production block assemblies include internal parts and cylinder heads.

MODEL C305/350 CID PARTS BOOK
CYLINDER BLOCK ASSEMBLY - FIGURE 2



C305/350-002

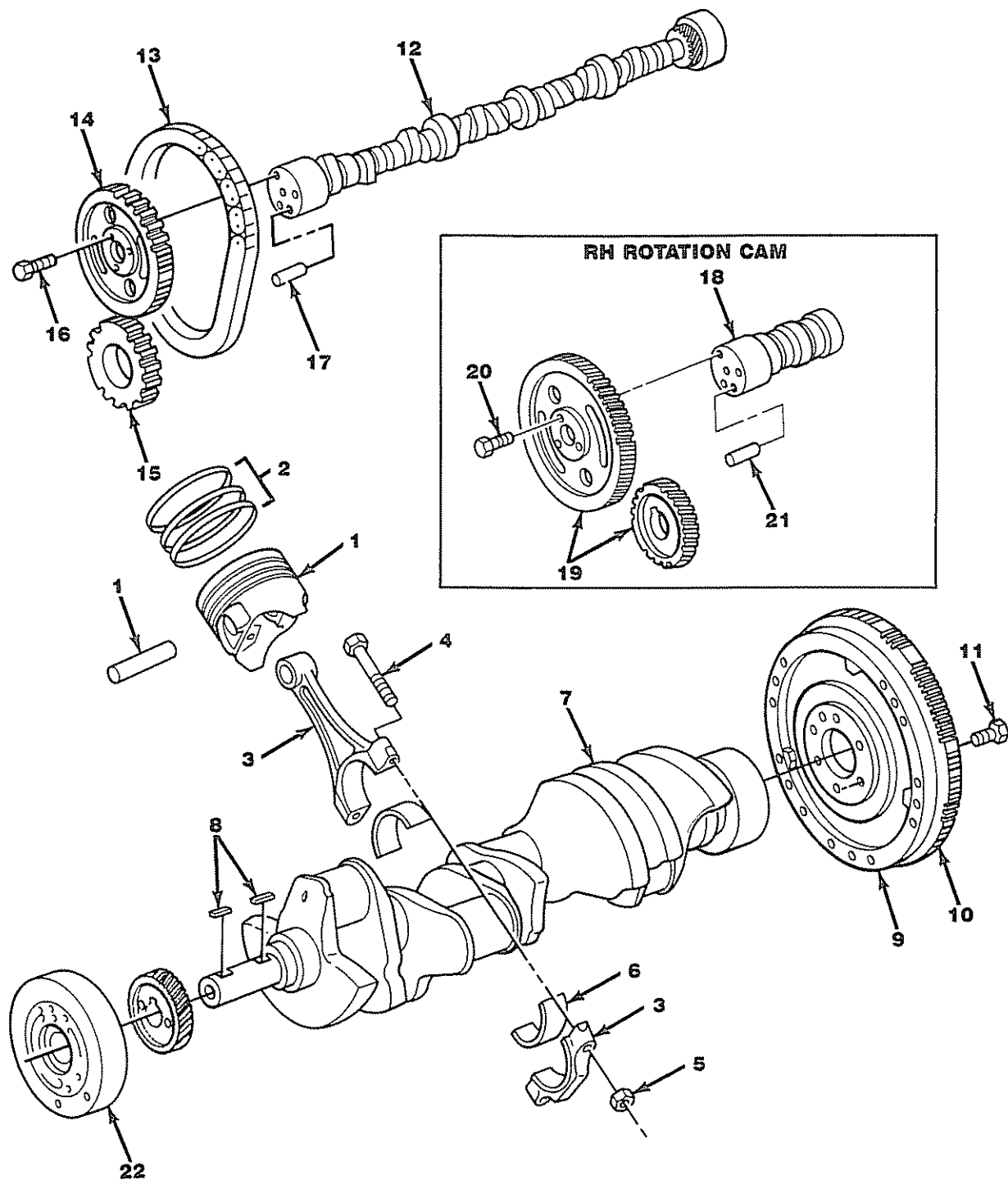
MODEL C305/350 CID PARTS BOOK
CYLINDER BLOCK ASSEMBLY – FIGURE 2

ITEM	PART NO.	DESCRIPTION	QUANTITY	
			LH	RH
*	23202	Production Block Assembly (LH Rotation)	X	
*	23203	Production Block Assembly (RH Rotation)		X
1	NSS	Cylinder Case Assembly		
2	33089	Plug, oil gallery	3	3
3	91330	Core Plug (1-5/8")	8	8
4	20045	Plug, camshaft bearing hole	1	1
5	30157	Pin, dowel — aligning	3	3
6	127950	Pipe Plug (1/8")		
7	585927	Pin, dowel — cylinder head aligning	4	4
8	33714	Plug, oil gallery	3	3
9	30152	Pin, dowel — bellhousing aligning	2	2
10	33089	Plug, oil gallery	1	1
11	33399	Cam Bearing #1	1	1
12	33400	Cam Bearing #2 & 5	2	2
13	33401	Cam Bearing #3 & 4	2	2
14	33083	Bolt, main bearing cap	6	6
15	33316	Stud, main bearing cap	4	4
16	33404	Bearing, crank main (STD)	4	4
16	33164	Bearing, crank main (.001 US)	AR	AR
16	33166	Bearing, crank main (.010 US)	AR	AR
16	33167	Bearing, crank main (.020 US)	AR	AR
17	33405	Bearing, rear main (STD)	1	1
17	33437	Bearing, rear main (.001 US)	AR	AR
17	33170	Bearing, rear main (.010 US)	AR	AR
17	33171	Bearing, rear main (.020 US)	AR	AR
18	30597	Retainer Assembly, Seal	1	
19	33617	Oil Seal, rear main (LH Rotation)	1	
18A	30596	Retainer Assembly, Seal		
19A	33618	Oil Seal, rear main (RH Rotation)		1
20	33620	Gasket, oil seal retainer ★	1	1
21	33688	Bolt, oil seal retainer — long	1	1
22	33689	Bolt, oil seal retainer	2	2
23	33685	Dowel Pin	1	1
24	33686	Stud, oil seal retainer	1	1
25	33599	Nut, oil seal retainer stud	1	1
26	33317	Baffle Assembly, oil pan	1	1
27	33124	Nut, baffle mounting stud	5	5
28	33307	Cover, crankcase front (LH Rotation)	1	
29	33381	Oil Seal, front cover ★	1	
28A	33308	Cover, crankcase front (RH Rotation)		1
29A	33377	Oil Seal, front cover ★		1
30	20129	Gasket, front cover ★	1	1
31	20790	Bolt, front cover	10	10
32	127951	Drain Plug, cylinder block	2	2

350 CID – 5.7 LITER

NOTE: Production block assemblies include internal parts and cylinder heads.

MODEL C305/350 CID PARTS BOOK
CRANKSHAFT, CAM AND PISTON ASSEMBLY – FIGURE 3



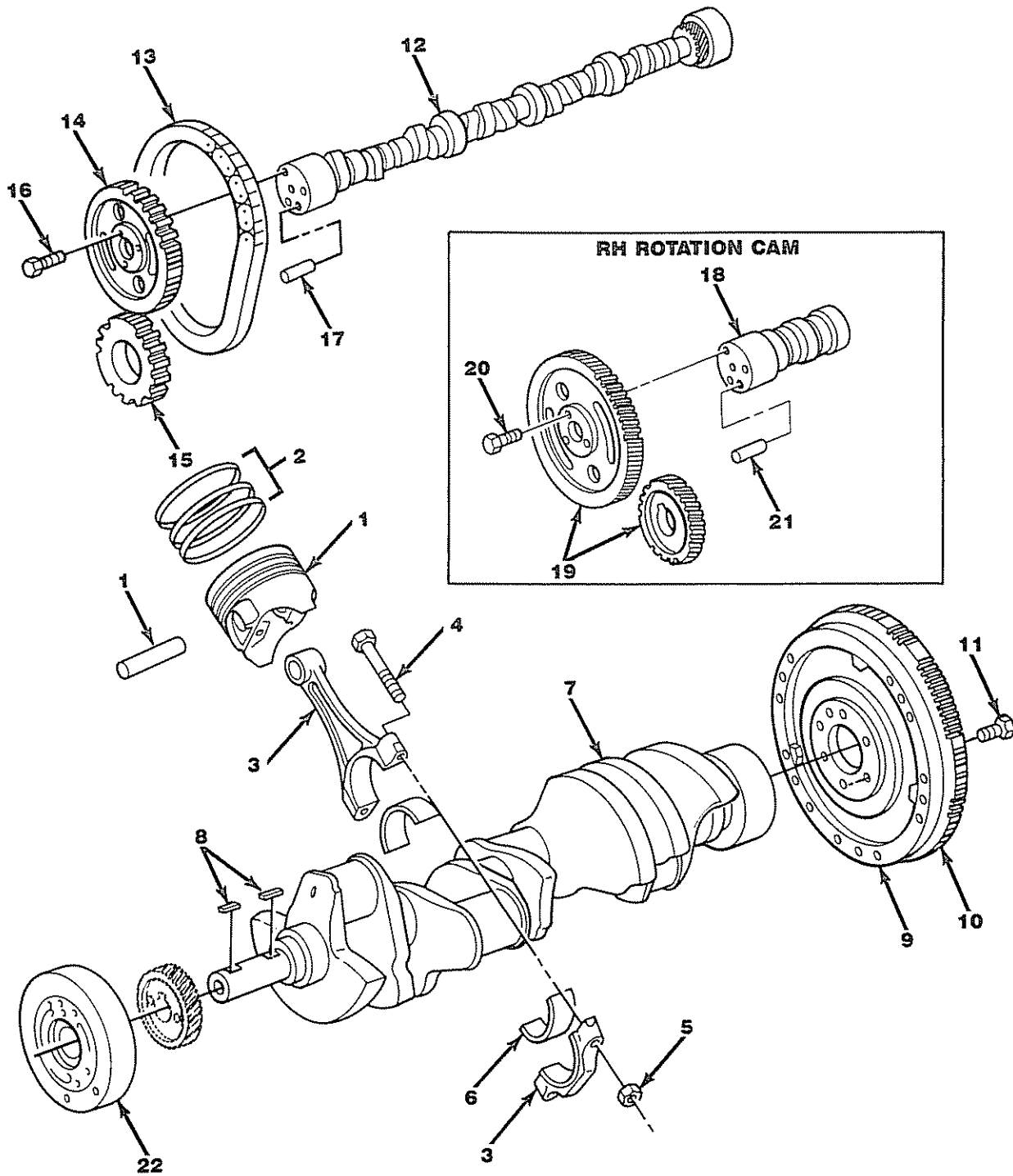
C305/350-003

MODEL G305/350 CID PARTS BOOK
CRANKSHAFT, CAM AND PISTON ASSEMBLY – FIGURE 3

ITEM	PART NO.	DESCRIPTION	QUANTITY	
			LH	RH
1	33706	Piston and Pin Assembly (STD)	8	8
1	33708	Piston and Pin Assembly (.030 OS)	AR	AR
2	33302	Ring Set, piston (STD)	8	8
2	33322	Ring Set, piston (.030 OS)	AR	AR
3	20765	Connecting Rod Assembly	8	8
4	33078	Bolt, connecting rod cap	16	16
5	33079	Nut, connecting rod cap	16	16
6	33115	Bearing Set, conn rod (STD)	8	8
6	33120	Bearing Set, conn rod (.001 US)	AR	AR
6	33116	Bearing Set, conn rod (.010 US)	AR	AR
6	33117	Bearing Set, conn rod (.020 US)	AR	AR
7	33702	Crankshaft Assembly (LH Rotation)	1	
7	33703	Crankshaft Assembly (RH Rotation)		1
8	30062	Key, timing gear and balancer	2	2
9	33643	Flywheel Assembly (14")	1	1
10	33264	Ring Gear, flywheel	1	1
11	839756	Bolt, flywheel to crankshaft	6	6
12	20570	Camshaft Assembly (LH Rotation)	1	
13	33699	Chain, camshaft timing	1	
14	33696	Sprocket, camshaft timing	1	
15	33697	Sprocket, crankshaft timing	1	
16	30698	Bolt, sprocket to cam (3/4")	3	
17	30157	Pin, camshaft sprocket	1	
18	20571	Camshaft Assembly (RH Rotation)		1
19	30271	Gear Set, camshaft timing		1
20	30698	Bolt, gear to cam (3/4")		3
21	30157	Pin, camshaft timing gear		1
22	33306	Harmonic Balancer	1	1

305 CID – 5.0 LITER

MODEL C305/350 CID PARTS BOOK
CRANKSHAFT, CAM AND PISTON ASSEMBLY – FIGURE 4



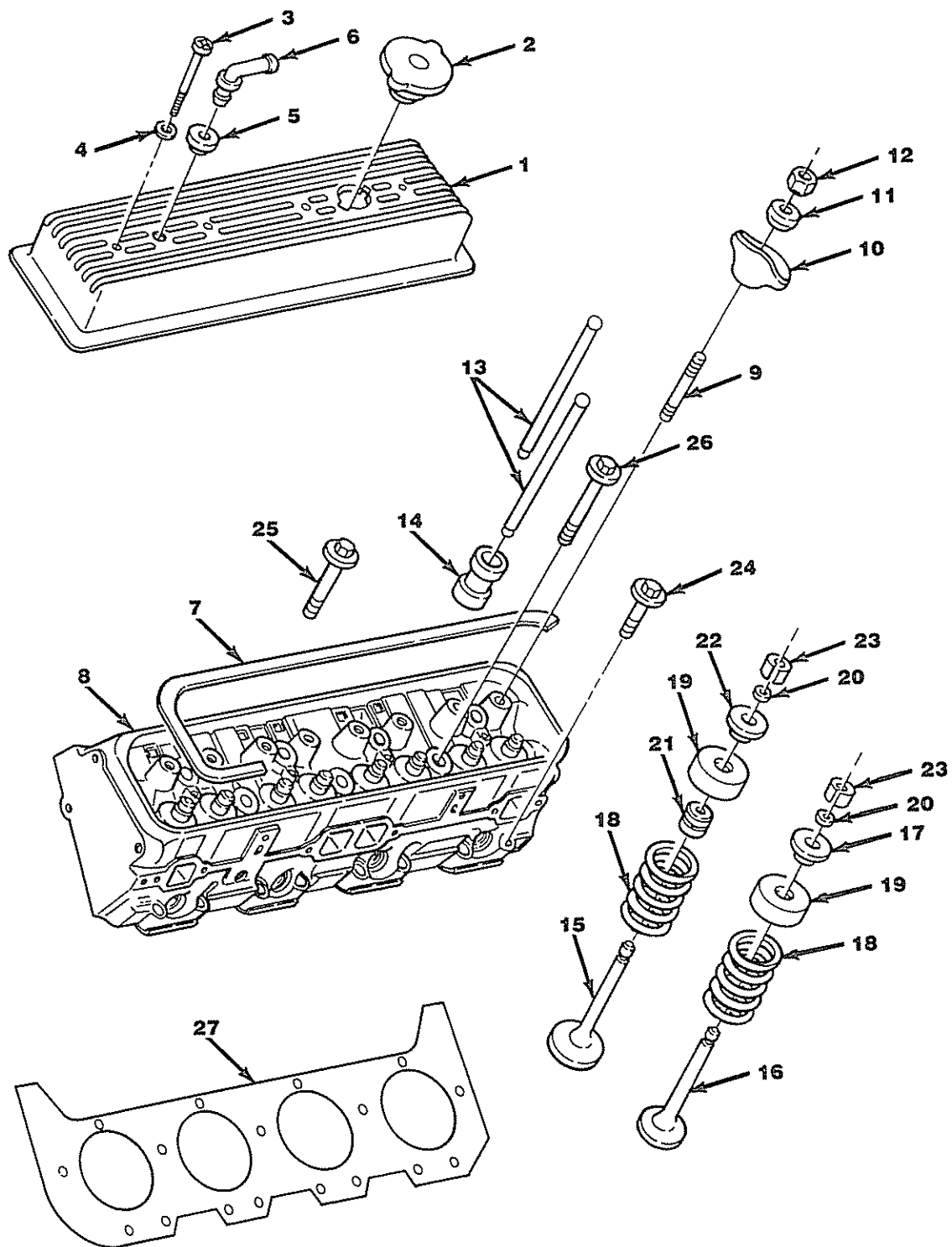
C305/350-004

MODEL C305/350 CID PARTS BOOK
CRANKSHAFT, CAM AND PISTON ASSEMBLY – FIGURE 4

ITEM	PART NO.	DESCRIPTION	QUANTITY	
			LH	RH
1	33679	Piston and Pin Assembly (STD)	8	8
1	33711	Piston and Pin Assembly (.030 OS)	AR	AR
2	12370	Ring Set, piston (STD)	8	8
2	12372	Ring Set, piston (.030 OS)	AR	AR
3	20765	Connecting Rod Assembly	8	8
4	33078	Bolt, connecting rod cap	16	16
5	33079	Nut, connecting rod cap	16	16
6	33115	Bearing Set, conn rod (STD)	8	8
6	33120	Bearing Set, conn rod (.001 US)	AR	AR
6	33116	Bearing Set, conn rod (.010 US)	AR	AR
6	33117	Bearing Set, conn rod (.020 US)	AR	AR
7	33704	Crankshaft Assembly (LH Rotation)	1	
7	33705	Crankshaft Assembly (RH Rotation)		1
8	30062	Key, timing gear and balancer	2	2
9	33643	Flywheel Assembly (14")	1	1
10	33264	Ring Gear, flywheel	1	1
11	839756	Bolt, flywheel to crankshaft	6	6
12	20570	Camshaft Assembly (LH Rotation)	1	
13	33699	Chain, camshaft timing	1	
14	33696	Sprocket, camshaft timing	1	
15	33697	Sprocket, crankshaft timing	1	
16	30698	Bolt, sprocket to cam (3/4")	3	
17	30157	Pin, camshaft sprocket	1	
18	20571	Camshaft Assembly (RH Rotation)		1
19	30271	Gear Set, camshaft timing		1
20	30698	Bolt, gear to cam (3/4")		3
21	30157	Pin, camshaft timing gear		1
22	33306	Harmonic Balancer	1	1

350 CID – 5.7 LITER

MODEL C305/350 CID PARTS BOOK
CYLINDER HEAD ASSEMBLY - FIGURE 5



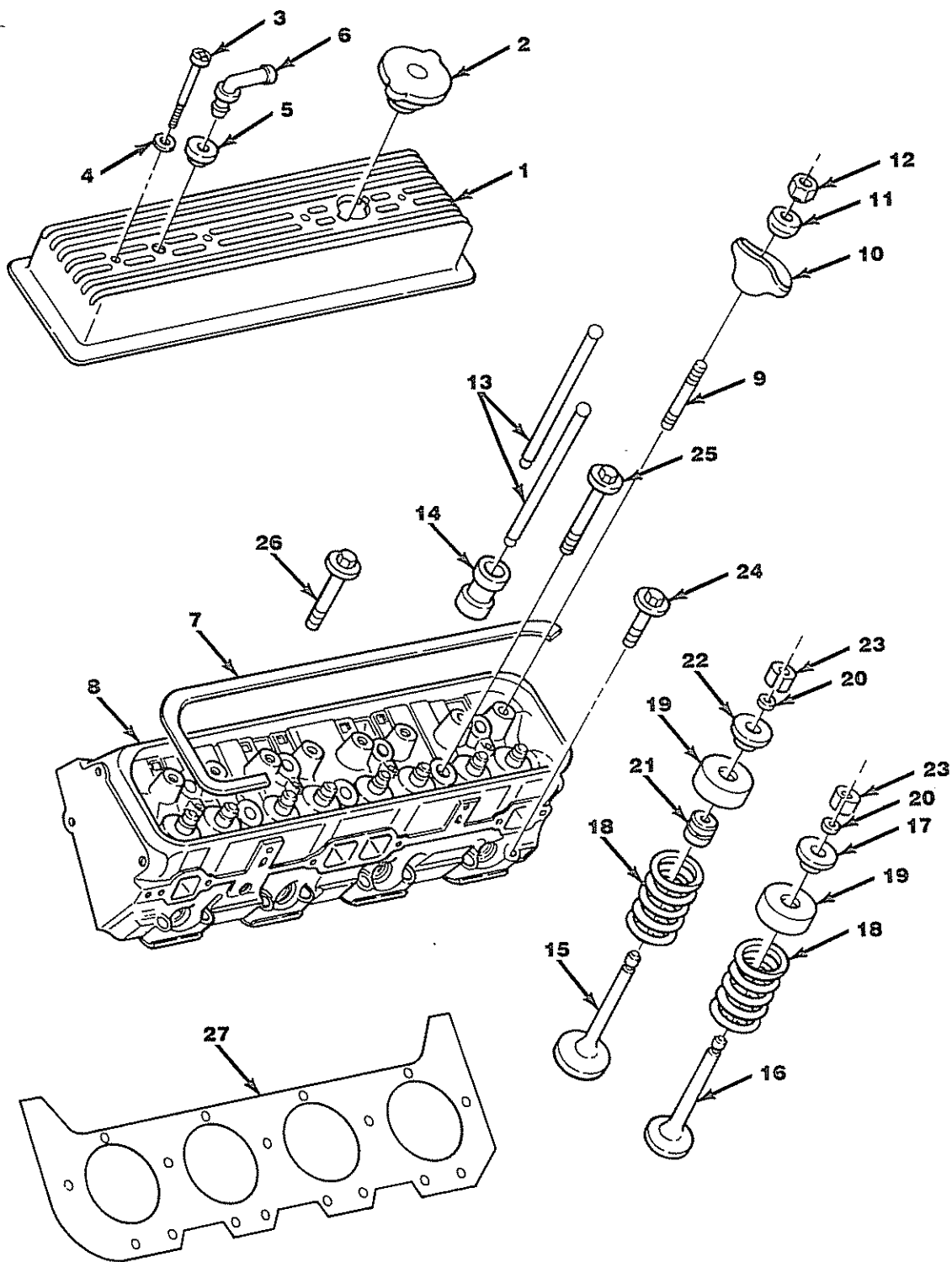
C305/350-005

MODEL C305/350 CID PARTS BOOK
CYLINDER HEAD ASSEMBLY – FIGURE 5

ITEM	PART NO.	DESCRIPTION	QUANTITY
1	33647	Cover, rocker (Early Design)	2
2	20105	Cap, oil fill – (Twist in type)	2
3	33648	Screw, rocker cover	8
4	98009	Washer, rocker cover screw	8
1A	33738	Cover, rocker (Late Design)	2
2A	33735	Cap, oil fill – (Screw in type)	2
3A	33648	Screw, rocker cover	8
5	1104595	Grommet, valve cover ★ ▲ ■	2
6	1104594	Vent, crankcase	2
7	97981	Gasket, valve cover ★ ▲	2
*	22670	Chrome Rocker Cover Kit (2 valve covers) (Also includes rocker cover screws, oil fill caps, gaskets and decals)	1
8	33692	Cylinder Head Assembly	2
9	33074	Stud, rocker arm (.003 OS)	AR
9	33075	Stud, rocker arm (.013 OS)	AR
10	12155	Rocker Arm, valve	16
11	20583	Ball, rocker arm	16
12	20582	Nut, rocker arm stud	16
13	33552	Push Rod, valve	16
14	30016	Valve Lifter, hydraulic	16
15	33651	Valve, intake (STD)	8
16	33469	Valve, exhaust (STD)	8
17	33522	Rotator Assembly (Exhaust Valve)	8
18	33241	Valve Spring Assembly	16
19	33211	Shield, valve spring cap	16
20	20056	Seal, valve (Inlet and Exhaust) ★ ▲	16
21	33677	Seal, valve (Inlet) ★ ▲	8
22	33523	Cap, inlet valve	8
23	33201	Retainer, valve stem	32
24	33527	Bolt, cylinder head to block (1–3/4")	16
25	33526	Bolt, cylinder head to block (3")	4
26	33525	Bolt, cylinder head to block (3–3/4")	14
27	33709	Gasket, cylinder head ★ ▲	2

305 CID – 5.0 LITER

MODEL C305/350 CID PARTS BOOK
CYLINDER HEAD ASSEMBLY – FIGURE 6



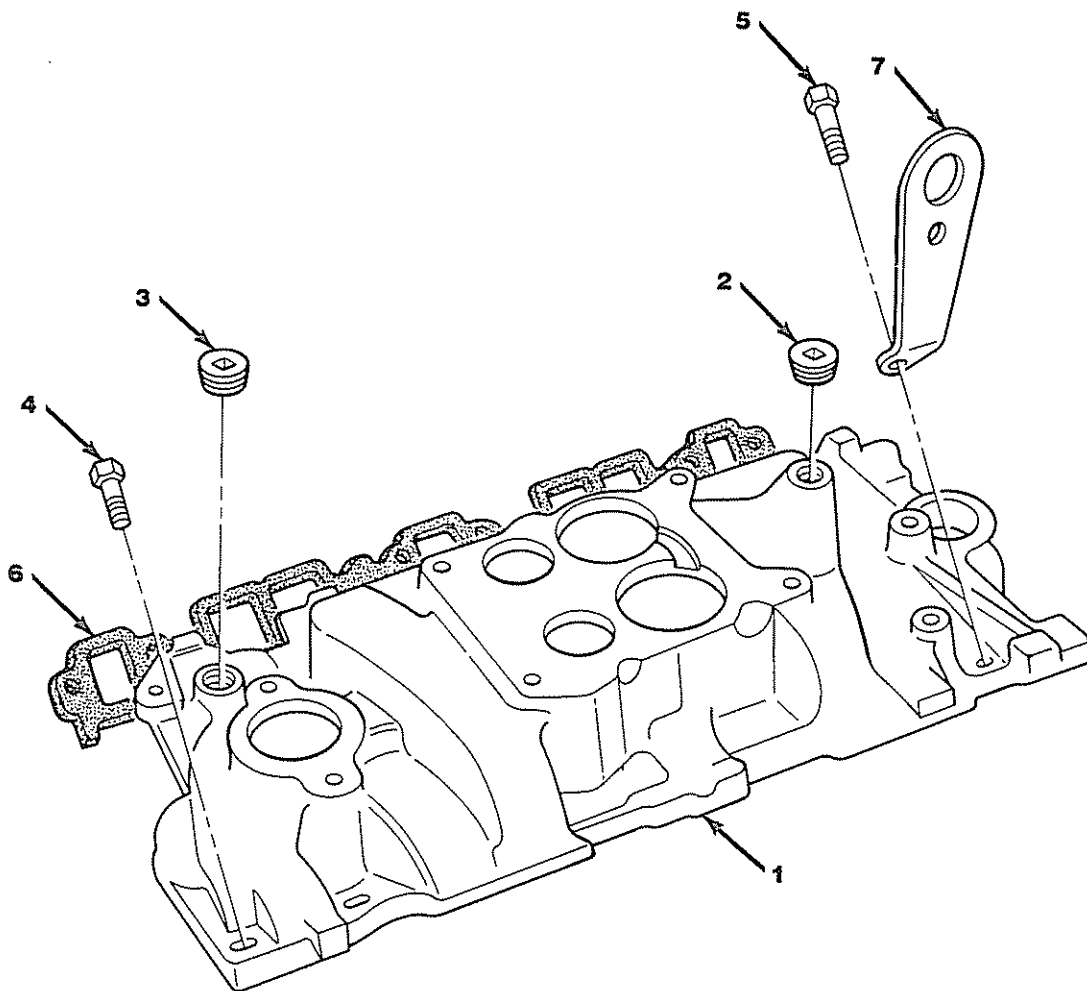
C305/350-006

MODEL C305/350 CID PARTS BOOK
CYLINDER HEAD ASSEMBLY – FIGURE 6

ITEM	PART NO.	DESCRIPTION	QUANTITY
1	33647	Cover, rocker (Early Design)	2
2	20105	Cap, oil fill – (Twist in type)	2
3	33648	Screw, rocker cover	8
4	98009	Washer, rocker cover screw	8
1A	33738	Cover, rocker (Late Design)	2
2A	33735	Cap, oil fill – (Screw in type)	2
3A	33648	Screw, rocker cover	8
5	1104595	Grommet, valve cover ★ ▲ ■	2
6	1104594	Vent, crankcase	2
7	97981	Gasket, valve cover ★ ▲	2
*	22670	Chrome Rocker Cover Kit (2 valve covers) (Also includes rocker cover screws, oil fill caps, gaskets and decals)	1
8	33693	Cylinder Head Assembly	2
9	33074	Stud, rocker arm (.003 O.S.)	AR
9	33075	Stud, rocker arm (.013 O.S.)	AR
10	12155	Rocker Arm, valve	16
11	20583	Ball, rocker arm	16
12	20582	Nut, rocker arm stud	16
13	33552	Push Rod, valve	16
14	30016	Valve Lifter, hydraulic	16
15	33326	Valve, intake (STD)	8
16	33469	Valve, exhaust (STD)	8
17	33522	Rotator Assembly (Exhaust Valve)	8
18	33241	Valve Spring Assembly	16
19	33211	Shield, valve spring cap	16
20	20056	Seal, valve (Inlet and Exhaust) ★ ▲	16
21	33677	Seal, valve (Inlet) ★ ▲	8
22	33523	Cap, inlet valve	8
23	33201	Retainer, valve stem	32
24	33527	Bolt, cylinder head to block (1–3/4")	16
25	33526	Bolt, cylinder head to block (3")	4
26	33525	Bolt, cylinder head to block (3–3/4")	14
27	33709	Gasket, cylinder head ★ ▲	2

350 CID – 5.7 LITER

MODEL C305/350 CID PARTS BOOK
INTAKE MANIFOLD ASSEMBLY – FIGURE 7



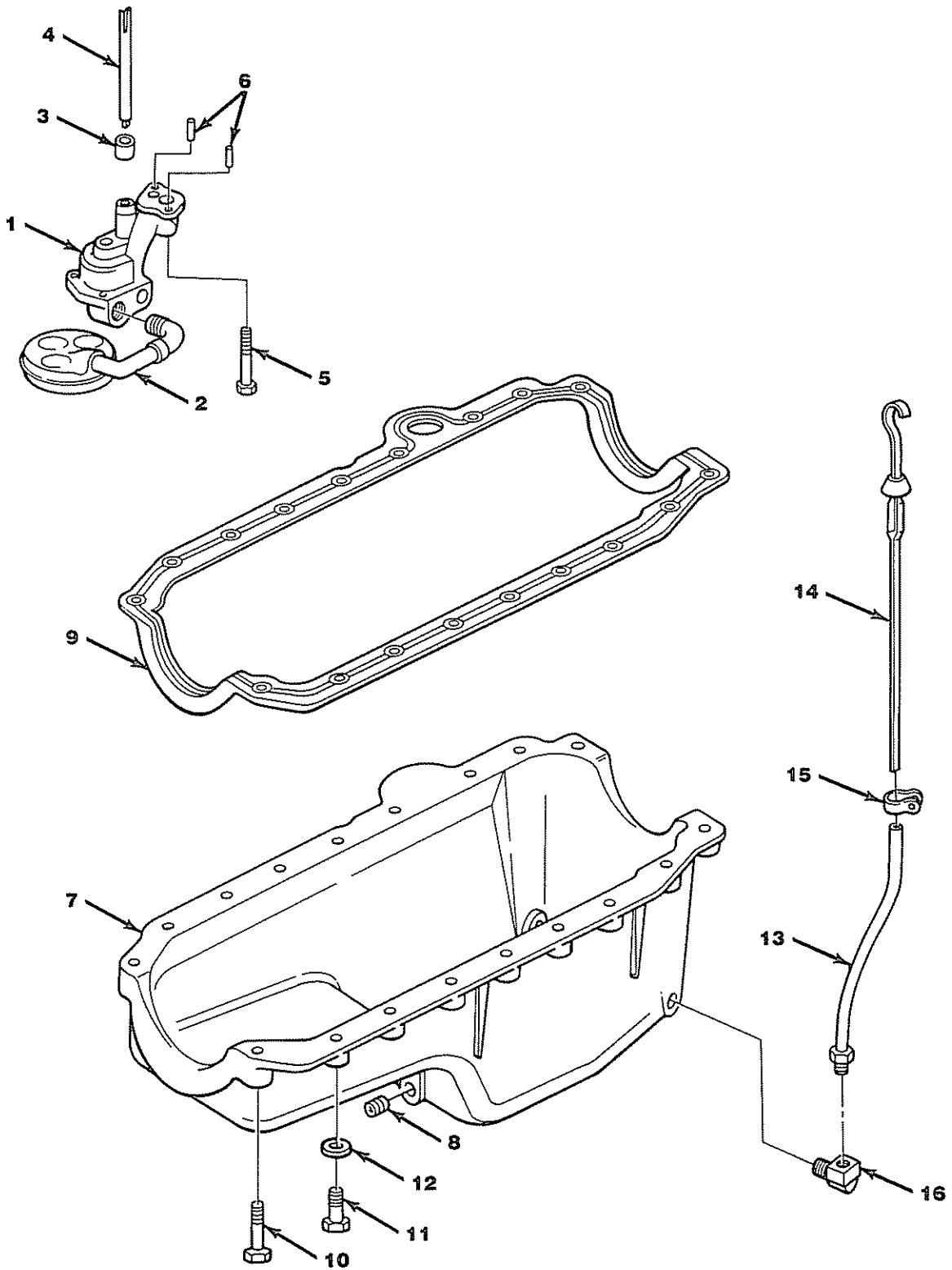
C305/350-007

MODEL C305/350 CID PARTS BOOK
 INTAKE MANIFOLD ASSEMBLY – FIGURE 7

ITEM	PART NO.	DESCRIPTION	QUANTITY
1	33712	Intake Manifold	1
2	444868	Plug, 3/8" NPT	1
3	444705	Plug, 1/2" NPT	1
4	33700	Bolt, intake mounting (1-1/8")	14
5	30179	Bolt, intake mounting (1-1/4")	2
6	21005	Gasket Set, intake manifold ★ ▲	1
7	96845	Eye, lifting	2

Sealants Required:
 22594 Sealer, Red RTV (intake manifold)

MODEL C305/350 CID PARTS BOOK
OIL PAN AND OIL PUMP ASSEMBLY – FIGURE 8

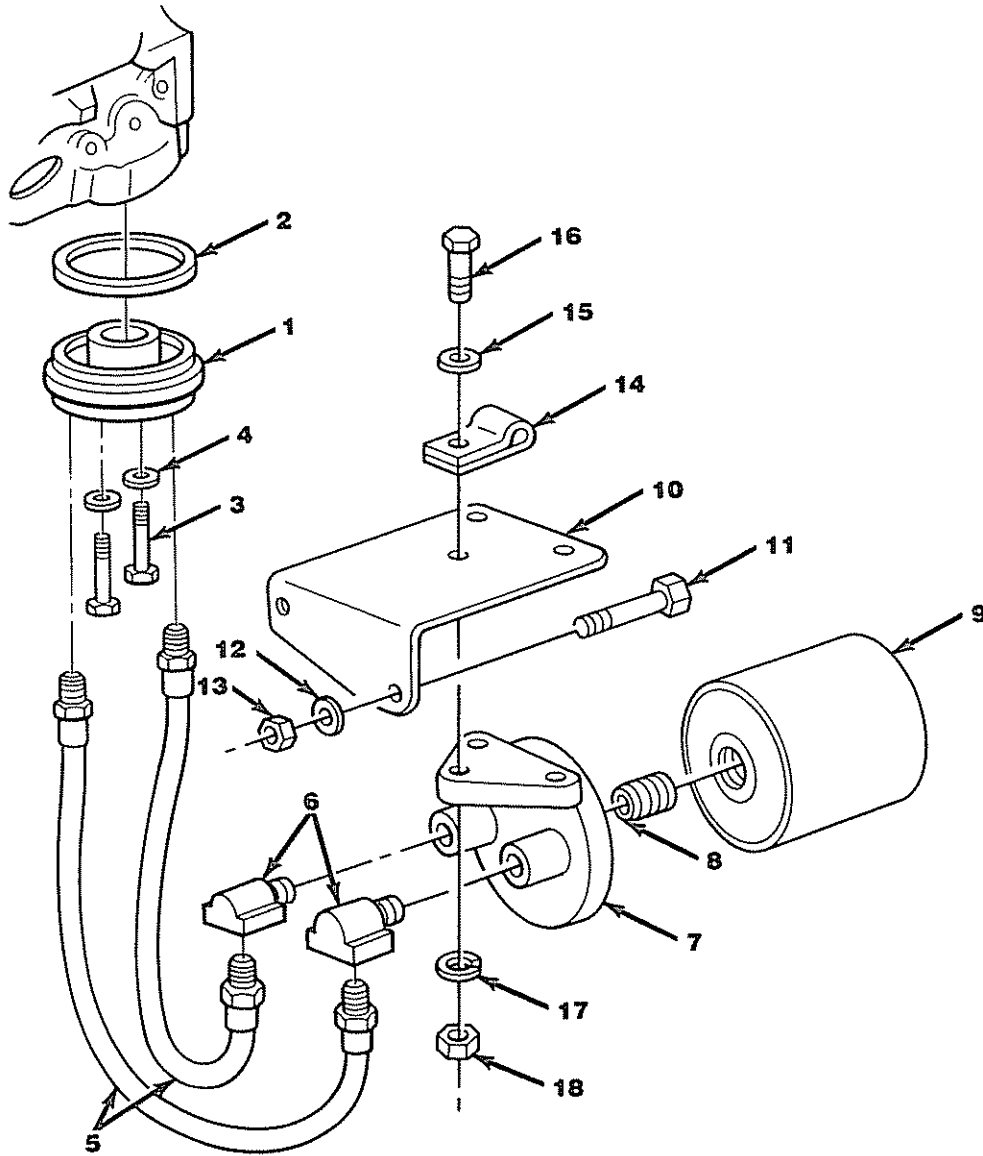


C305/350-008

MODEL C305/350 CID PARTS BOOK
OIL PAN AND OIL PUMP ASSEMBLY – FIGURE 8

ITEM	PART NO.	DESCRIPTION	QUANTITY
1	33190	Oil Pump Assembly	1
2	20153	Oil Pickup and Screen Assembly	1
3	33131	Retainer , drive shaft to pump	1
4	33130	Shaft , oil pump to distributor	1
5	33232	Bolt , oil pump to block	1
6	30157	Pin , dowel	2
7	97920	Oil Pan , cast aluminum	1
8	444868	Plug , 3/8 brass	2
9	33615	Gasket , oil pan ★	1
10	9421628	Bolt , oil pan to front cover (2")	4
11	179801	Bolt , oil pan to block (1-1/2")	12
12	103319	Washer , oil pan bolt	12
13	97215	Dipstick Tube (12 Degree Installation)	1
13A	97488	Dipstick Tube (V-Drive Installation)	1
14	21045	Gauge , oil level (dipstick)	1
15	96566	Clamp , dipstick tube	1
16	137423	Elbow , dipstick tube to oil pan	1

MODEL C305/350 CID PARTS BOOK
REMOTE OIL FILTER ASSEMBLY – FIGURE 9

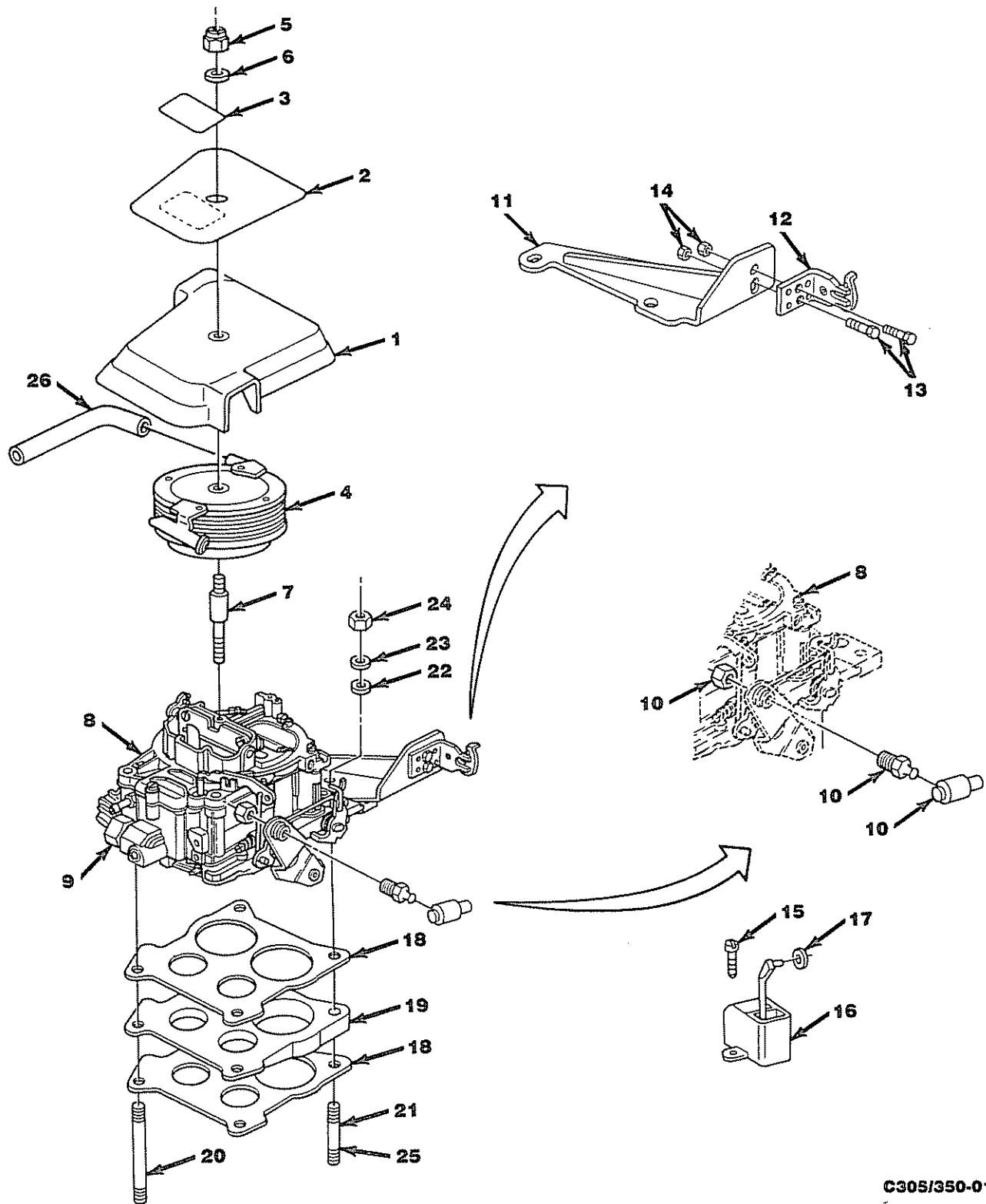


C305/350-009

MODEL C305/350 CID PARTS BOOK
 REMOTE OIL FILTER ASSEMBLY – FIGURE 9

ITEM	PART NO.	DESCRIPTION	QUANTITY
1	97667	Adaptor , remote filter to cyl block	1
2	20156	Gasket , adaptor to cyl block ★ ■	1
3	179828	Bolt , adaptor to cyl block (2-1/2")	2
4	22226	Washer , copper – adaptor bolt	2
5	22626	Hose Assy , adaptor to filter (22")	2
6	9432250	Elbow , hose – filter header (90 degree)	2
7	719571	Oil Filter Header	1
8	97292	Nipple , header filter adaptor	1
9	22679	Oil Filter Element	1
10	97342	Bracket , filter mounting	1
11	179820	Bolt , bracket to bellhousing (1-1/4")	2
12	9417953	Lockwasher , bracket bolt	2
13	9413583	Nut , bracket bolt	2
14	96566	Clamp , wire harness mounting	1
15	9418304	Washer , clamp retaining	1
16	179820	Bolt , header to bracket (1-1/4")	3
17	9417953	Lockwasher , header mounting bolt	3
18	9413583	Nut , header mounting bolt	3

MODEL C305/350 CID PARTS BOOK
CARBURETOR MOUNTING (Quadrajet) – FIGURE 10

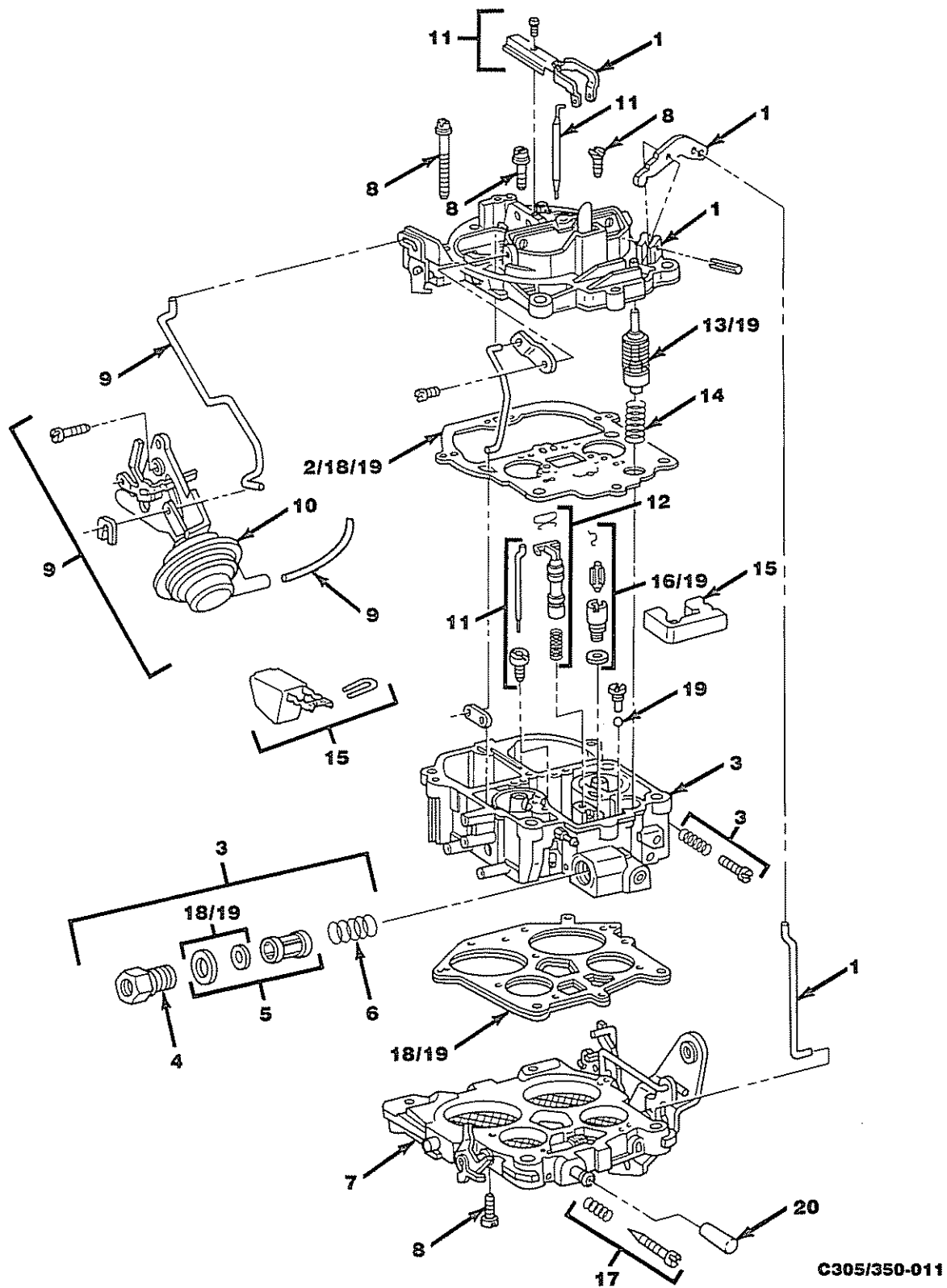


C305/350-010

MODEL C305/350 CID PARTS BOOK
CARBURETOR MOUNTING (Quadrajets) – FIGURE 10

ITEM	PART NO.	DESCRIPTION	QUANTITY
1	97994	Cover , flame arrestor	1
2	22780	Decal , flame arrestor cover	1
3	22638	Decal , (Model 350)	1
3	22637	Decal , (Model 305)	1
4	97595	Flame Arrestor , carburetor	1
5	22760	Nut , flame arrestor stud	1
6	22004	Washer , flame arrestor cover	1
7	98004	Stud , flame arrestor	1
8	45356	Carburetor Assembly	1
9	45343	Cap , rubber – carburetor	1
10	21025	Ball Joint Assembly , cable attaching	1
11	97976	Bracket , throttle cable mounting	1
12	21033	Clip , throttle attaching (Single)	1
12A	22232	Clip , throttle attaching (Dual)	OPT
13	443874	Screw , clip to throttle bracket	2
14	22440	Nut , clip mounting screw	2
15	273513	Screw , choke attaching	1
16	33240	Choke Assembly , (12 Degree)	1
16A	33239	Choke Assembly , (V-Drive, 0 Degree)	1
17	30123	Clip , choke rod attaching	1
=====			
Use Following Parts for 12 Degree Installation Only			
=====			
18	97033	Gasket , carburetor mounting ★ ▲ ■	2
19	97122	Wedge Plate , carburetor	1
20	96818	Stud , carburetor attaching (4–1/4")	2
21	97983	Stud , carburetor attaching (2–3/8")	2
22	9418304	Washer , carburetor stud	4
23	9417953	Lockwasher , carburetor stud	4
24	9413583	Nut , carburetor stud	4
=====			
Use Following Parts for V-Drive Installation Only			
=====			
18	97033	Gasket , carburetor mounting ★ ▲ ■	1
20	96818	Stud , carburetor attaching (4–1/4")	2
25	97982	Stud , carburetor attaching (1–5/8")	2
22	9418304	Washer , carburetor stud	4
23	9417953	Lockwasher , carburetor stud	4
24	9413583	Nut , carburetor stud	4
26	20806	Vent Hose , crankcase (12")	2

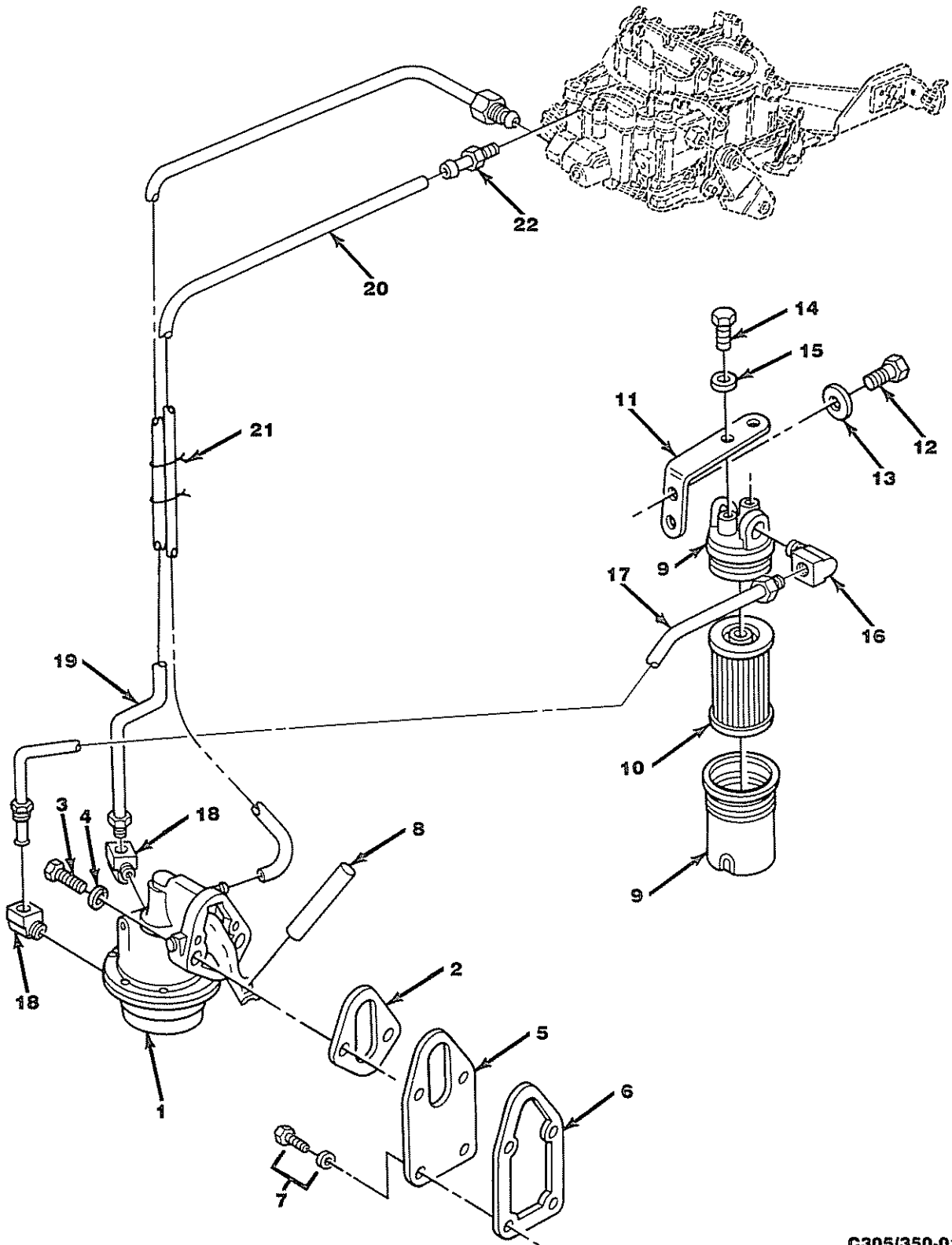
MODEL C305/350 CID PARTS BOOK
CARBURETOR ASSEMBLY (Quadrajets) – FIGURE 11



MODEL C305/350 CID PARTS BOOK
 CARBURETOR ASSEMBLY (Quadrajets) – FIGURE 11

ITEM	PART NO.	DESCRIPTION	QUANTITY
*	45356	Carburetor Assembly	1
1	45360	Air Horn Assembly	1
2	45272	Gasket, air horn	1
3	45361	Float Bowl Assembly	1
4	45358	Nut, fuel inlet	1
5	45362	Fuel Filter Package	1
6	45313	Spring, fuel filter	1
7	45323	Throttle Body Assembly	1
8	45363	Screw Assortment Package	1
9	45364	Primary Vacuum Break Assembly	1
10	45285	Vacuum Break Assembly	1
11	45365	Metering Rod & Jet Package	1
12	45366	Power Piston Package	1
13	45319	Pump Assembly	1
14	45318	Spring, pump return	1
15	45367	Float & Insert Package	1
16	45300	Needle & Seat Assembly	1
17	45368	Idle Needle & Spring	2
18	N/A	Gasket Kit	1
19	45334	Overhaul Kit	1
20	45343	Cap, rubber	1
<p>NOTE: DO NOT USE the carburetor mounting gasket supplied in gasket and/or overhaul kit. Order flange gasket part number 97033 as needed.</p>			

MODEL C305/350 CID PARTS BOOK
FUEL PUMP AND FUEL SYSTEM (S/N 81833 & BELOW) – FIGURE 12

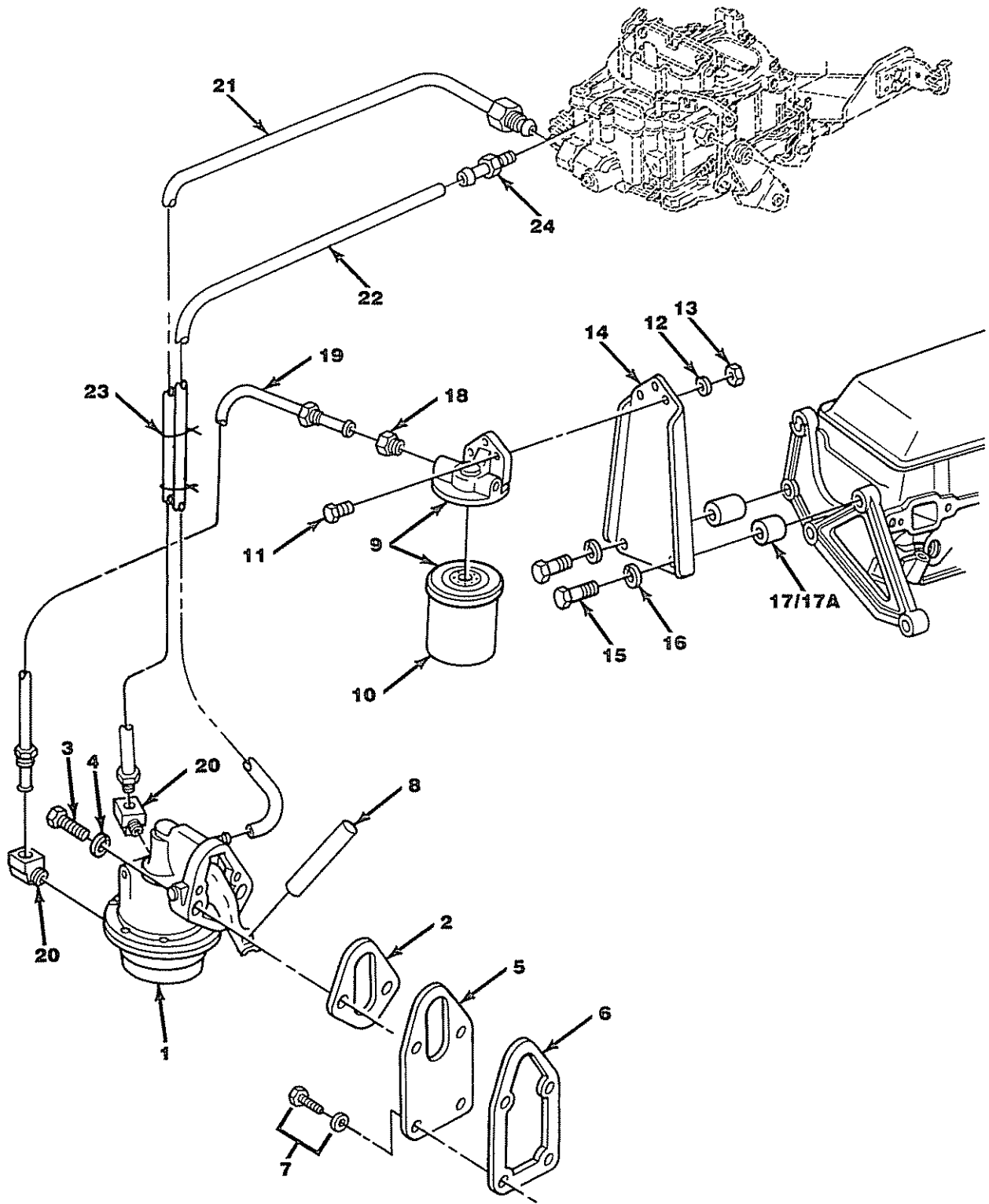


C305/350-012

MODEL C305/350 CID PARTS BOOK
 FUEL PUMP AND FUEL SYSTEM (S/N 81833 & BELOW) – FIGURE 12

ITEM	PART NO.	DESCRIPTION	QUANTITY
1	97842	Fuel Pump	1
2	91340	Gasket, fuel pump to cylinder block ★ ■	1
3	186628	Bolt, fuel pump to block (1-1/2")	2
4	103321	Lockwasher, fuel pump bolt	2
5	91607	Plate, fuel pump mounting	1
6	91341	Gasket, fuel pump mounting plate ★ ■	1
7	22383	Bolt, fuel pump mounting plate (1/2")	2
8	30135	Rod, push – fuel pump	1
9	97889	Fuel Filter Assembly	1
10	91606	Element, fuel filter	1
11	97259	Bracket, fuel filter mounting	1
12	179837	Bolt, bracket to head (3/4")	2
13	103321	Lockwasher, bracket bolt	2
14	181339	Bolt, filter to bracket (1")	2
15	9418304	Washer, filter mounting bolt	2
16	30573	Elbow, fuel line to filter	1
17	97834	Fuel Line, filter to fuel pump	1
18	30573	Elbow, fuel line to fuel pump	2
19	97987	Fuel Line, fuel pump to carb	1
20	22401	Tygon Hose, fuel pump to carb (36")	1
21	22410	Tiewrap, tygon hose attaching	3
22	97829	Fitting, tygon hose to carburetor	1

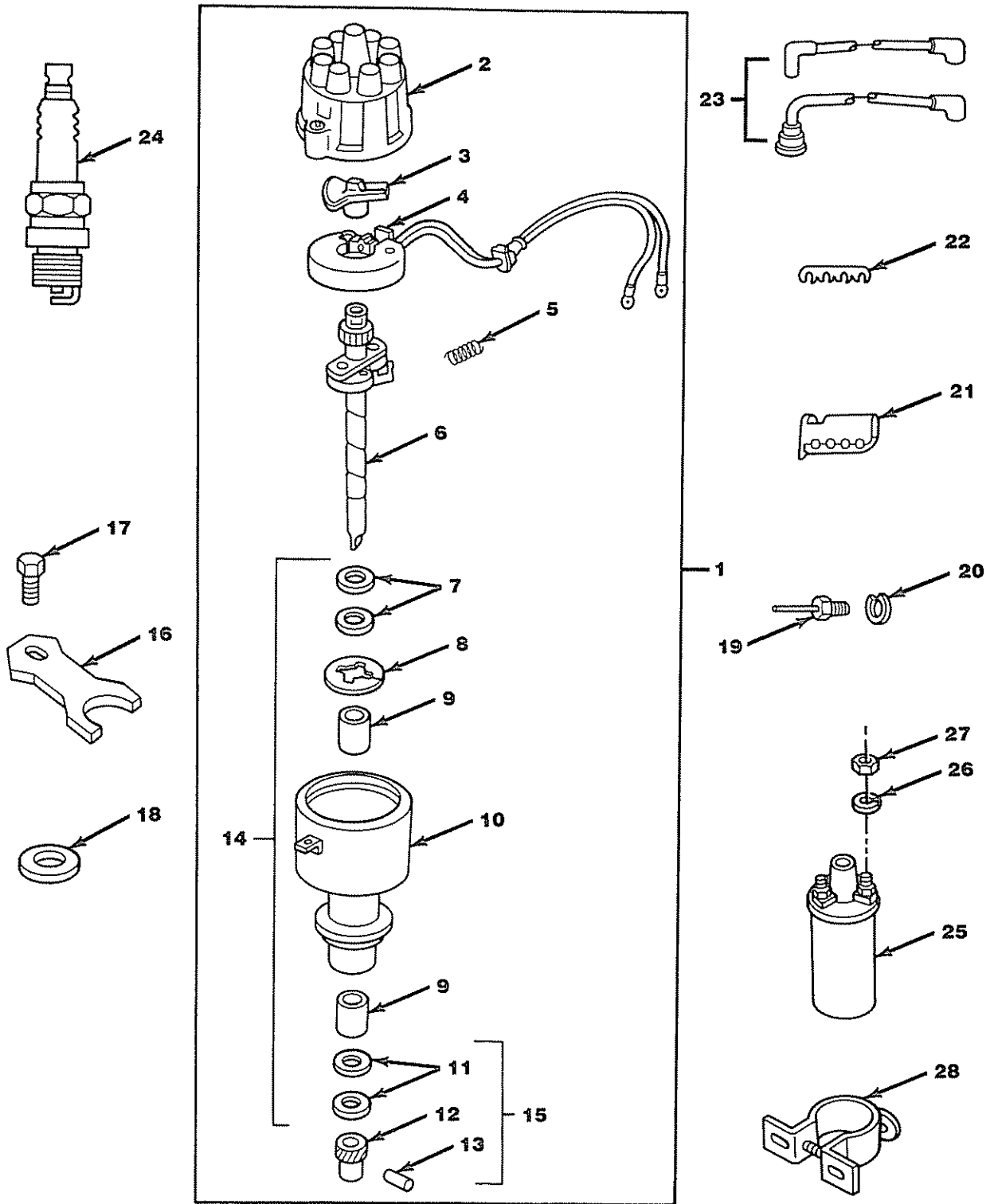
MODEL C305/350 CID PARTS BOOK
FUEL PUMP AND FUEL SYSTEM (S/N 81834 & ABOVE) – FIGURE 13



C305/350-013

MODEL C305/350 CID PARTS BOOK
 FUEL PUMP AND FUEL SYSTEM (S/N 81834 & ABOVE) – FIGURE 13

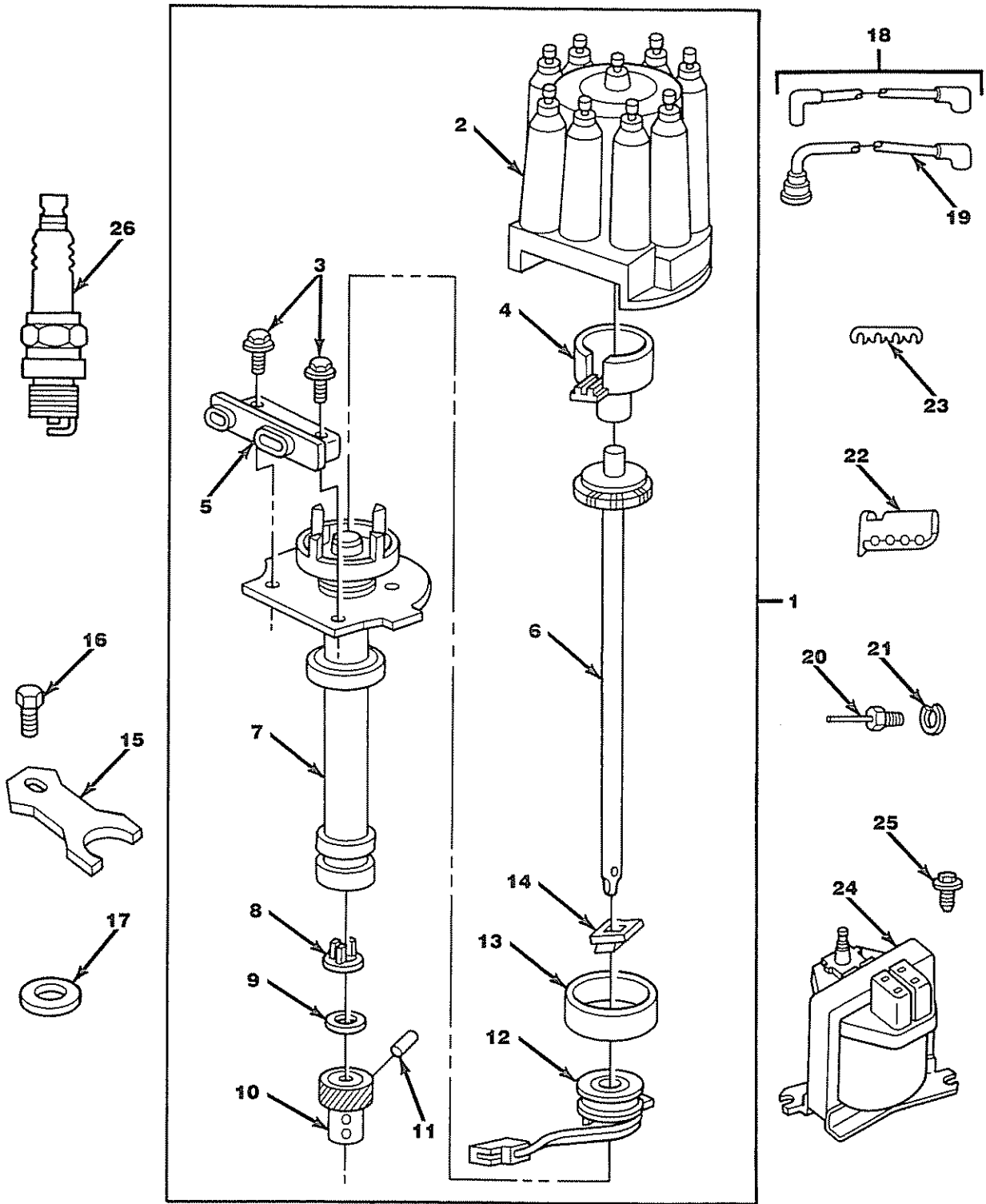
ITEM	PART NO.	DESCRIPTION	QUANTITY
1	97842	Fuel Pump	1
2	91340	Gasket , fuel pump to cylinder block ★ ■	1
3	186628	Bolt , fuel pump to block (1-1/2")	2
4	103321	Lockwasher , fuel pump bolt	2
5	91607	Plate , fuel pump mounting	1
6	91341	Gasket , fuel pump mounting plate ★ ■	1
7	22383	Bolt , fuel pump mounting plate (1/2")	2
8	30135	Rod , push – fuel pump	1
9	98074	Header , fuel filter	1
10	98041	Fuel Filter/Water Separator	1
11	9418918	Bolt , header mounting (1")	3
12	9417953	Lockwasher , header bolt	3
13	9413583	Nut , header bolt	3
14	98006	Bracket , fuel filter mounting	1
15	179848	Bolt , filter bracket mounting (2-1/4")	2
16	103321	Lockwasher , bracket mounting bolt	2
17	97703	Spacer , fuel filter bracket (1/2")	2
17A	71234	Spacer , fuel filter bracket (1-3/8") w/o alternator bracket	2
18	30572	Adaptor , fuel line to header	1
19	98043	Fuel Line , fuel filter to fuel pump	1
20	30573	Elbow , fuel line to fuel pump	2
21	97987	Fuel Line , fuel pump to carb	1
22	22401	Tygon Hose , fuel pump to carb (36")	1
23	22410	Tiewrap , tygon hose attaching	3
24	97829	Fitting , tygon hose to carburetor	1



C305/350-014

MODEL C305/350 CID PARTS BOOK
PRESTOLITE IGNITION (S/N 83807 AND BELOW) – FIGURE 14

ITEM	PART NO.	DESCRIPTION	QUANTITY
1	37067	Distributor Assembly	1
2	41076	Cap, distributor	1
3	41089	Rotor, distributor	1
4	41090	Sensor, ignition	1
5	37069	Spring Set, advance weights	1
6	41060	Shaft Assembly	1
7	NSS	Washer, thrust	2
8	NSS	Washer	1
9	NSS	Bushing, distributor shaft	2
10	NSS	Housing, distributor	1
11	NSS	Washer, thrust	2
12	NSS	Gear, drive	1
13	NSS	Pin, drive gear	1
14	41051	Bearing and Parts Kit (Includes items 7, 8, 9, and 11)	1
15	41054	Drive Gear Kit (Includes items 11, 12, and 13)	1
16	20799	Clamp, distributor hold down	1
17	97948	Bolt, distributor clamp	1
18	91083	Gasket, distributor ★ ▲ ■	1
19	97663	Stud Assembly, wire retainer	2
20	103321	Lockwasher, wire retainer stud	2
21	22222	Retainer, spark plug wires	2
22	22300	Separator, spark plug wires	2
23	97454	Spark Plug Wire Set	1
24	97782	Spark Plug (Champion RV8C)	8
25	37068	Coil, ignition	1
26	106497	Lockwasher, coil terminal	2
27	21118	Nut, coil terminal	2
28	41063	Bracket, ignition coil mounting	1

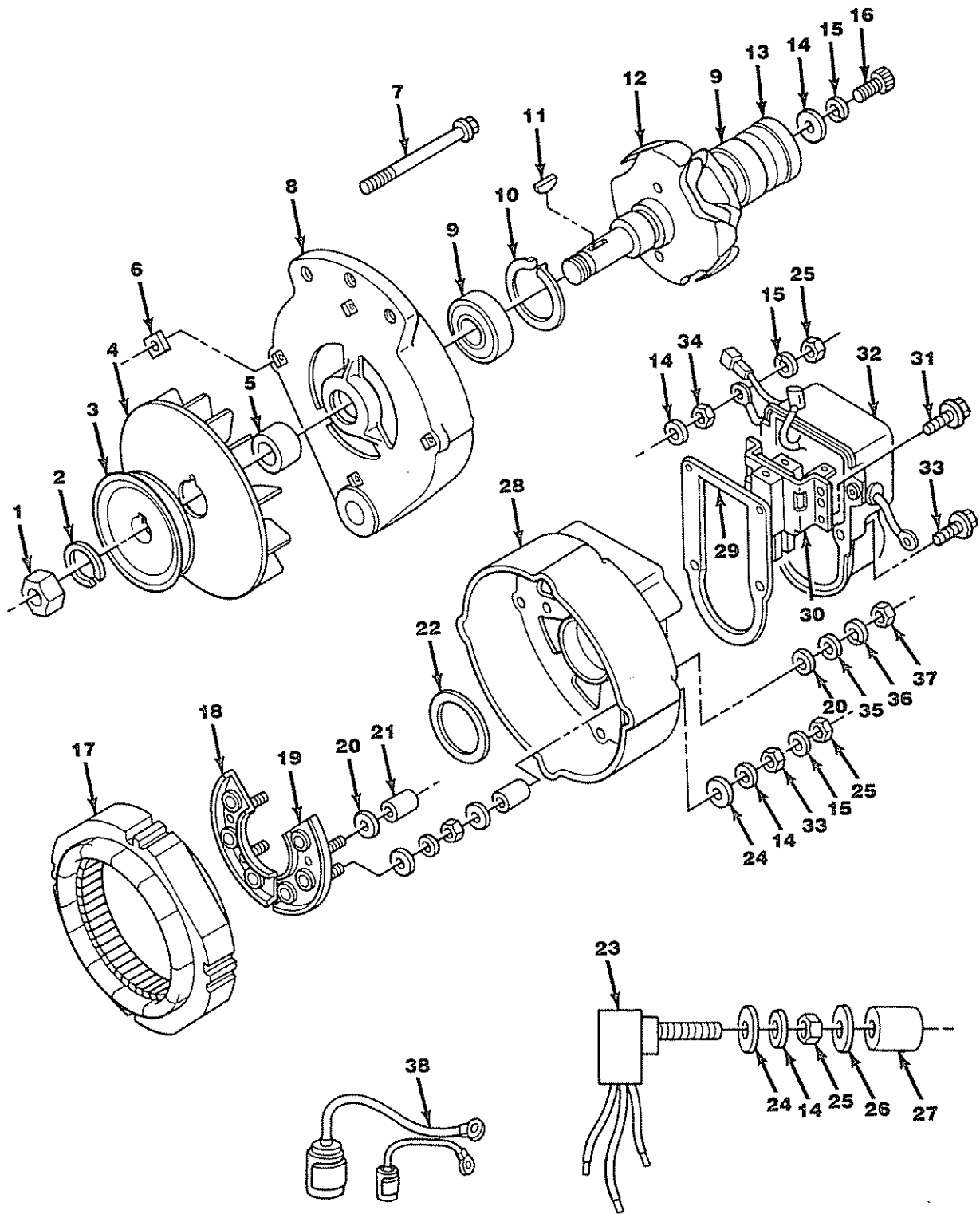


C305/350-015

MODEL C305/350 CID PARTS BOOK
 DELCO E.S.T. IGNITION (S/N 83808 AND ABOVE) – FIGURE 15

ITEM	PART NO.	DESCRIPTION	QUANTITY
1	38065	Distributor Assembly	1
2	38070	Cap , distributor	1
3	38069	Screw , ignition module attaching	2
4	38071	Rotor , ignition	1
5	38068	Module , ignition	1
6	38073	Shaft Assembly	1
7	38078	Housing , distributor	1
8	38023	Washer , tang	1
9	38077	Washer , thrust	1
10	38072	Gear , drive	1
11	38060	Pin , drive gear	1
12	38075	Pickup Coil Assembly	1
13	38076	Shield , pickup coil	1
14	38074	Retainer	1
15	20799	Clamp , distributor hold down	1
16	97948	Bolt , distributor clamp	1
17	91083	Gasket , distributor ★ ▲ ■	1
18	98070	Spark Plug Wire Set	1
19	98094	Coil Wire	1
20	97663	Stud Assembly , wire retainer	2
21	103321	Lockwasher , wire retainer stud	2
22	22222	Retainer , spark plug wires	2
23	22300	Separator , spark plug wires	2
24	38066	Ignition Coil Assembly	1
25	9440224	Bolt , coil to intake manifold (1/2")	2
26	97782	Spark Plug (Champion RV8C)	8

MODEL C305/350 CID PARTS BOOK
ALTERNATOR ASSEMBLY (MOTOROLA) – FIGURE 16

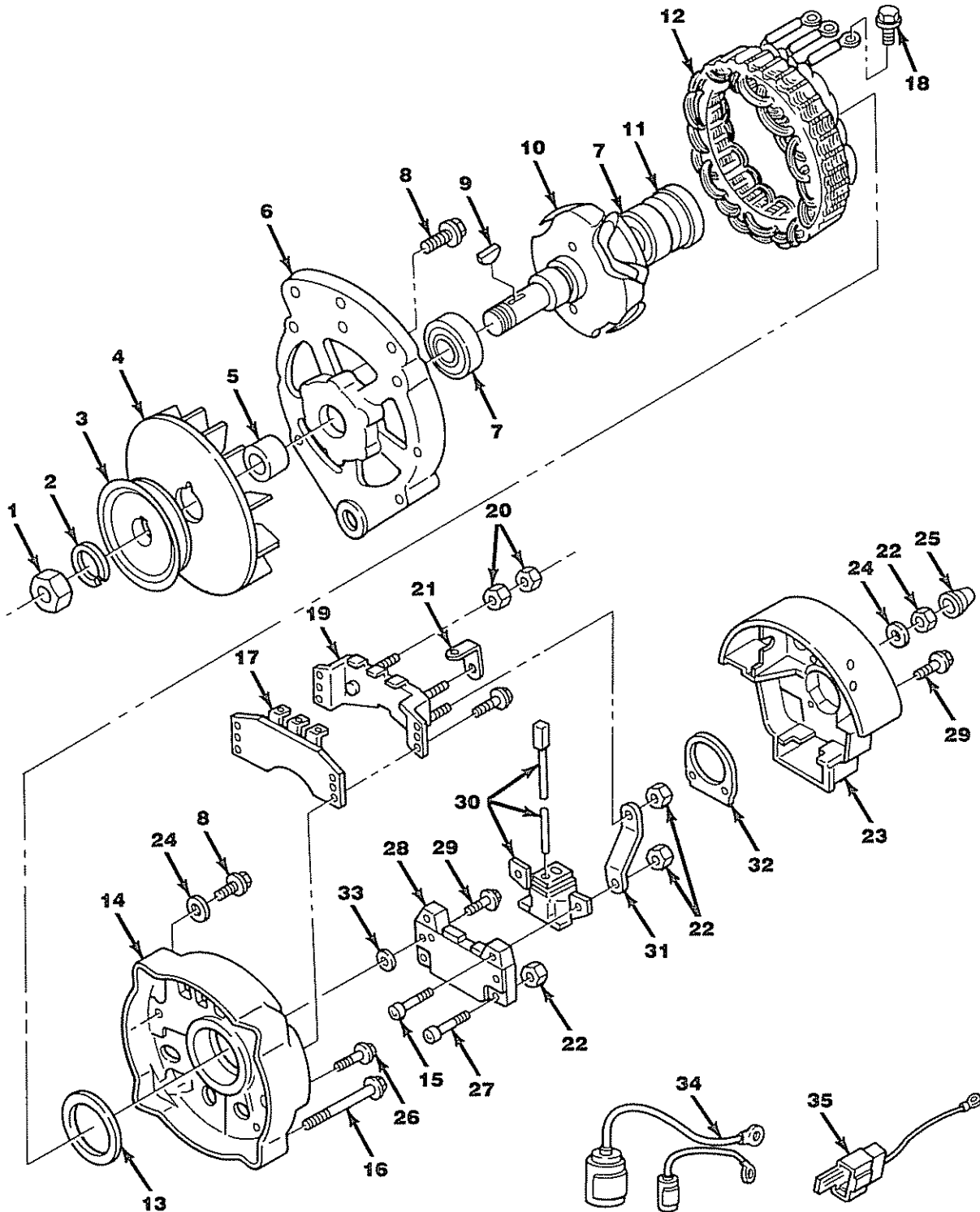


C305/350-016

MODEL C305/350 CID PARTS BOOK
ALTERNATOR ASSEMBLY (MOTOROLA) – FIGURE 16

ITEM	PART NO.	DESCRIPTION	QUANTITY
*	39049	Alternator Assembly (50 Amp)	1
1	39072	Nut , pulley to shaft	1
2	39073	Lockwasher , pulley to shaft nut	1
3	39039	Pulley , drive	1
4	39074	Fan , cooling	1
5	39005	Spacer , cooling fan to frame	1
6	39006	Nut , thru bolt attaching	4
7	39105	Bolt , thru	4
8	39034	Housing , front	1
9	39008	Bearing , rotor	2
10	39009	Retainer , bearing to front housing	1
11	39010	Key , pulley drive	1
12	39035	Rotor Assembly	1
13	39012	Slip Ring Assembly	1
14	39053	Washer , flat	5
15	39054	Lockwasher , terminal	4
16	39013	Screw , rotor	1
17	39046	Stator Assembly	1
18	39015	Diode Assembly , negative	1
19	39097	Heat Sink , positive	1
20	39098	Washer , terminal insulator	2
21	39099	Sleeve , terminal insulating	1
22	39019	Retainer , rotor shaft bearing	1
23	39100	Diode Trio	1
24	39017	Washer , insulating – terminal stud	2
25	39058	Nut , terminal stud	4
26	39044	Washer , insulating – terminal stud	1
27	39101	Sleeve , insulating	1
28	39102	Housing , rear	1
29	39060	Gasket , voltage regulator	1
30	39090	Brush Holder Assembly	1
31	39033	Screw , brush holder attaching	2
32	39050	Voltage Regulator Assembly	1
33	39031	Screw , regulator mounting	4
34	39029	Nut , terminal stud	3
35	39103	Washer , terminal stud	1
36	39055	Lockwasher , terminal stud	1
37	39104	Nut , terminal stud	1
38	39047	Alternator Suppression Kit	Opt
	NSS	Capacitor	1
	NSS	Capacitor	1

MODEL C305/350 CID PARTS BOOK
ALTERNATOR ASSEMBLY (PRESTOLITE) – FIGURE 17

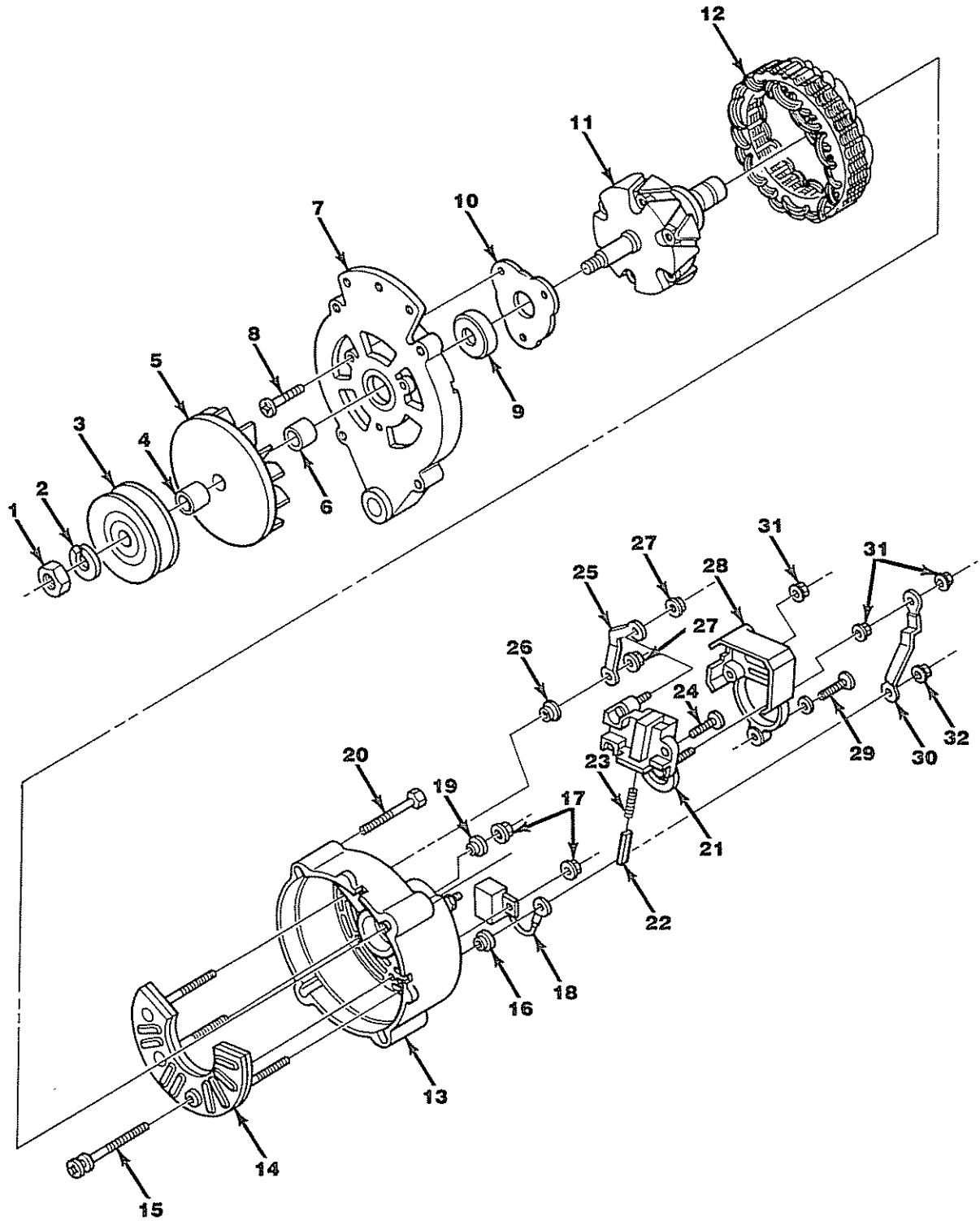


C305/350-017

MODEL C305/350 CID PARTS BOOK
 ALTERNATOR ASSEMBLY (PRESTOLITE) – FIGURE 17

ITEM	PART NO.	DESCRIPTION	QUANTITY
*	39064	Alternator Assembly (51 Amp)	1
1	39072	Nut, pulley shaft	1
2	39073	Lockwasher, pulley to shaft nut	1
3	39039	Pulley, drive	1
4	39074	Fan, cooling	1
5	39005	Spacer, cooling fan to frame	1
6	39076	Housing, front	1
7	39008	Bearing, rotor	2
8	39077	Screw, bearing to front housing	3
9	39010	Key, pulley drive	1
10	39069	Rotor Assembly	1
11	39012	Slip Ring	1
12	39068	Stator Assembly	1
13	39019	Retainer, rotor shaft bearing	1
14	39080	Housing, rear	1
15	39094	Screw, brush holder retaining	2
16	39081	Bolt, housing assembly	4
17	39082	Rectifier, diode bridge	1
18	39083	Screw, stator lead	3
19	39067	Diode Trio	1
20	39089	Nut, terminal	2
21	39084	Strap, AC tap	1
22	39029	Nut, terminal	6
23	39087	Cover, rear	1
24	39053	Washer, terminal stud	2
25	39088	Cap, terminal stud	3
26	39093	Screw, diode to rectifier	1
27	39091	Screw, voltage regulator	1
28	39065	Voltage Regulator	1
29	39092	Screw, regulator mounting	8
30	39066	Brush Assembly	1
31	39085	Strap, D+	1
32	39086	Gasket, felt	1
33	39044	Washer, insulator	2
34	39047	Alternator Suppression Kit	OPT
	NSS	Capacitor	1
	NSS	Capacitor	1
35	39071	Adaptor, lead assembly	1

MODEL C305/350 CID PARTS BOOK
ALTERNATOR ASSEMBLY (MANDO) – FIGURE 18

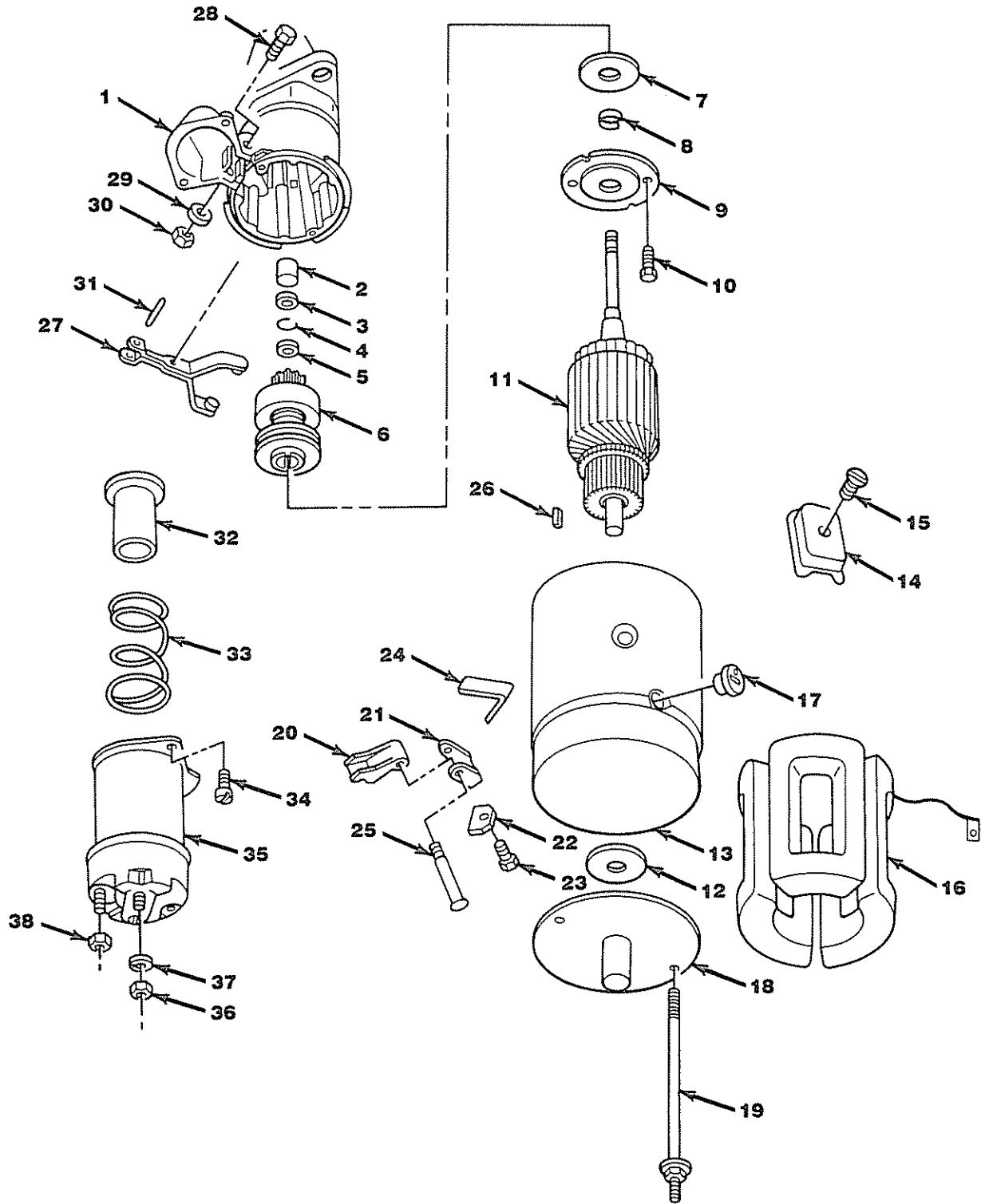


C305/350-018

MODEL C305/350 CID PARTS BOOK
ALTERNATOR ASSEMBLY (MANDO) – FIGURE 18

ITEM	PART NO.	DESCRIPTION	QUANTITY
*	39200	Alternator Assembly (51 amp)	1
1	39201	Nut , pulley to shaft	1
2	39202	Lockwasher , pulley to shaft nut	1
3	39203	Pulley , drive	1
4	39204	Spacer , pulley to fan	1
5	39205	Fan , cooling	1
6	39206	Spacer , cooling fan to frame	1
7	39207	Housing Assembly , front	1
8	39209	Screw , retainer attaching	3
9	39210	Bearing , rotor	1
10	39211	Retainer , bearing	1
11	39212	Rotor Assembly	1
12	39213	Stator Assembly	1
13	39214	Housing Assembly , rear	1
14	39216	Rectifier Assembly	1
15	39217	Screw Set , rectifier attaching	1
16	39218	Insulator , terminal screw	1
17	39219	Nut , terminal screw	2
18	39220	Condenser Assembly	1
19	39221	Insulator , terminal screw	1
20	39222	Bolt , housing assembly	4
21	39223	Voltage Regulator Assembly	1
22	39224	Brush	2
23	39225	Brush Spring	2
24	39226	Screw , regulator attaching	2
25	39227	Strap , Terminal-L	1
26	39218	Insulator , terminal screw	1
27	39219	Nut , terminal screw	2
28	39228	Cover , regulator	1
29	39229	Screw , cover attaching	1
30	39230	Strap , Terminal-B	1
31	39219	Nut , terminal screw	3
32	39231	Nut , terminal screw	1

MODEL C305/350 CID PARTS BOOK
STARTER MOTOR ASSEMBLY – FIGURE 19



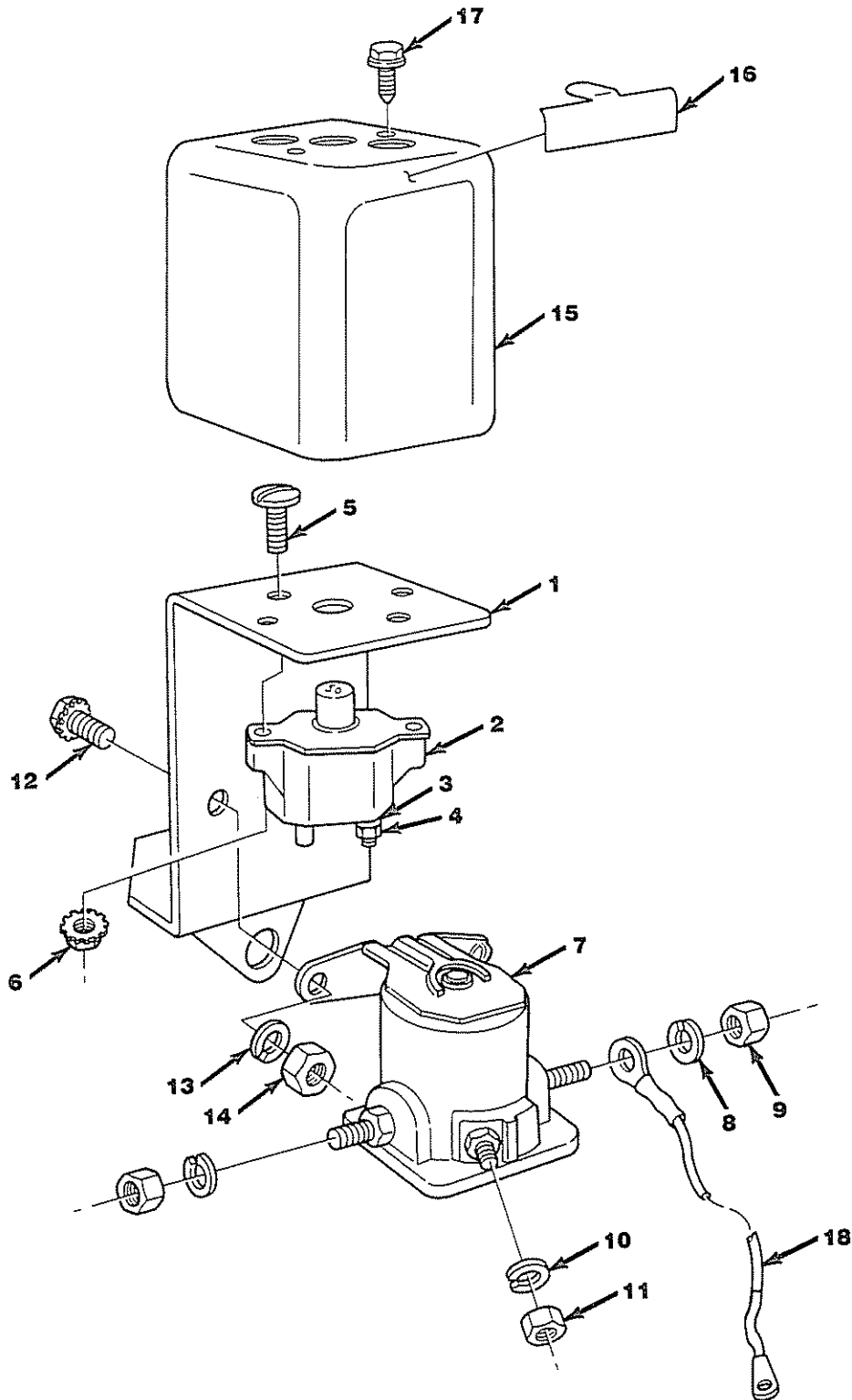
C305/350-019

MODEL C305/350 CID PARTS BOOK
STARTER MOTOR ASSEMBLY – FIGURE 19

ITEM	PART NO.	DESCRIPTION	QUANTITY
*	42091	Starter Motor (LH rotation) #1998316	1
*	42090	Starter Motor (RH rotation) #1998315	1
1	NSS	Housing , drive end	1
2	42051	Bushing , drive end	1
3	42014	Collar , thrust	1
4	42013	Ring , retaining	1
5	42012	Collar , pinion stop	1
6	42036	Drive Assembly , clutch (LH rotation)	1
6A	42031	Drive Assembly , clutch (RH rotation)	1
7	42095	Washer , bearing plate	1
8	42096	Bushing , bearing plate	1
9	42097	Plate , bearing	1
10	42098	Screw , bearing plate	2
11	42099	Armature (LH rotation)	1
11A	42100	Armature (RH rotation)	1
12	42101	Washer , commutator end frame	1
13	NSS	Frame , main	1
14	NSS	Shoe , pole – field coil	4
15	NSS	Screw , pole shoe retaining	4
16	42078	Field Coil Assembly (LH rotation)	1
16A	42079	Field Coil Assembly (RH rotation)	1
17	42102	Grommet , field coil	1
18	NSS	Communicator End Cap	1
19	42049	Bolt , thru	2
20	42003	Brush Holder , insulated	2
21	42002	Brush Holder , grounded	2
22	42001	Brush , field frame	4
23	42070	Screw , brush lead	4
24	42004	Spring , field frame brush	4
25	42005	Brush Holder Support Kit	2
26	NSS	Pin , dowel	1
27	42020	Lever , shift	1
28	42022	Bolt , shift lever	1
29	42103	Washer , shift lever bolt	2
30	42104	Nut , shift lever bolt	1
31	NSS	Pin , plunger to shift lever	1
32	42105	Plunger , shift lever	1
33	42018	Spring , plunger return	1
34	42073	Screw , solenoid mounting	2
35	42094	Solenoid Assembly	1
36	21118	Nut , terminal	2
37	106497	Lockwasher , terminal	2
38	21123	Nut , battery cable attaching	1

NOTE: Parts not available from the Crusader parts department can be purchased locally through Delco distributors. Use the proper Delco starter number when ordering parts.

MODEL C305/350 CID PARTS BOOK
ELECTRICAL BRACKET ASSEMBLY (S/N 81833 AND BELOW) – FIGURE 20

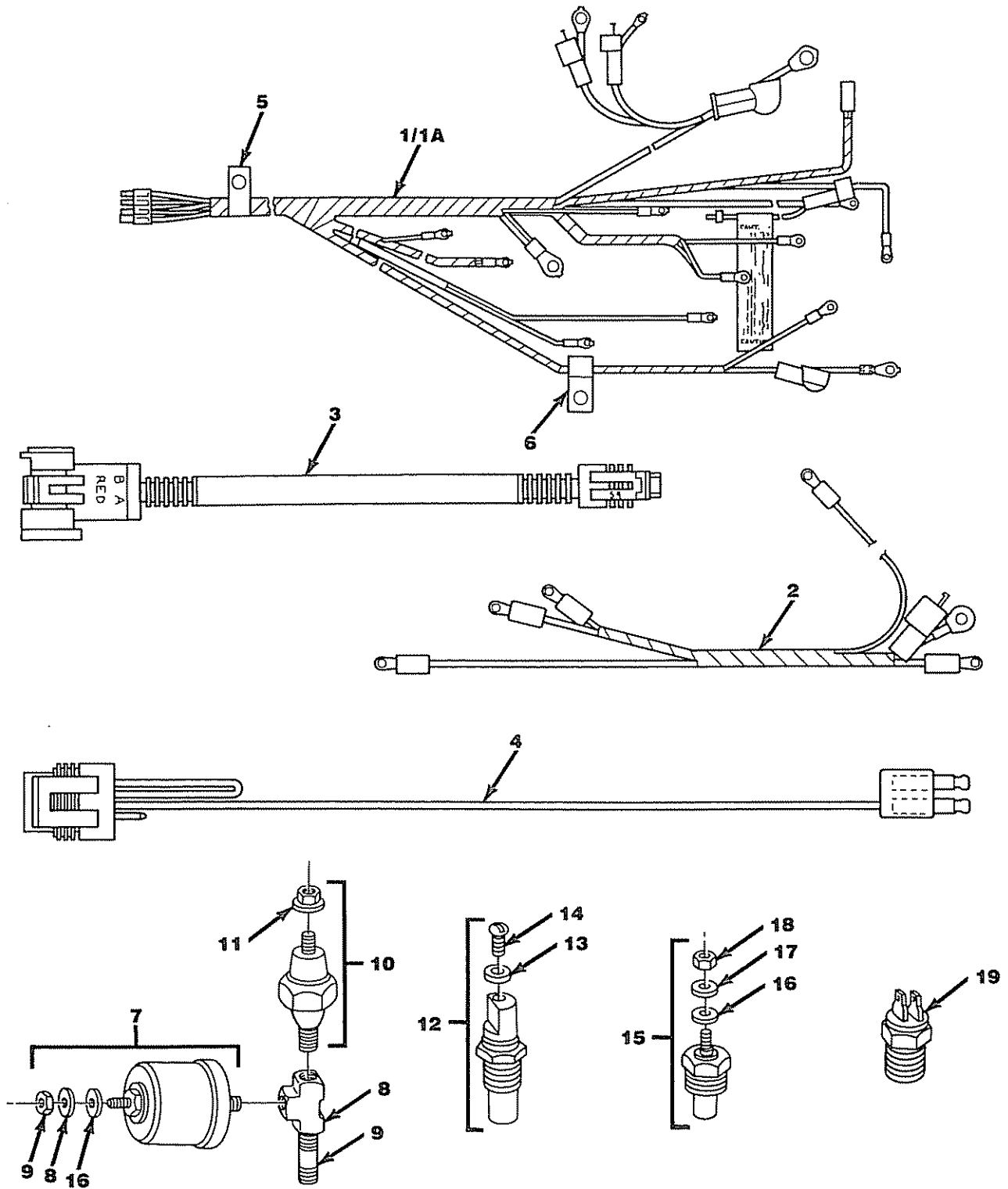


C305/350-020

MODEL C305/350 CID PARTS BOOK
ELECTRICAL BRACKET ASSEMBLY (S/N 81833 AND BELOW) – FIGURE 20

ITEM	PART NO.	DESCRIPTION	QUANTITY
1	97478	Bracket , solenoid mounting	1
2	97568	Circuit Breaker (50 Amp)	1
3	21147	Washer , circuit breaker terminal	4
4	21148	Nut , circuit breaker terminal	2
5	22382	Bolt , circuit breaker to bracket (7/8")	2
6	22440	Nut , circuit breaker bolt	2
7	9006320	Solenoid , starter (S/N 81398 and Below)	1
8	9417953	Lockwasher , terminal	2
9	9413583	Nut , terminal	2
10	106497	Lockwasher , terminal	1
11	112432	Nut , terminal	1
7	22611	Solenoid , starter (S/N 81399 and Above)	1
8	9417953	Lockwasher , terminal	2
9	9413583	Nut , terminal	2
10	106497	Lockwasher , terminal	2
11	112432	Nut , terminal	2
12	22383	Bolt , solenoid mounting (1/2")	2
13	103319	Lockwasher , solenoid mounting bolt	2
14	109084	Nut , solenoid mounting bolt	2
15	97474	Cover , circuit breaker and solenoid	1
16	22155	Decal , circuit breaker	1
17	22140	Screw , cover attaching (3/8")	2
18	97479	Wire Assembly , solenoid to starter	1

MODEL C305/350 CID PARTS BOOK
 WIRING HARNESS AND ELECTRICAL COMPONENTS – FIGURE 21

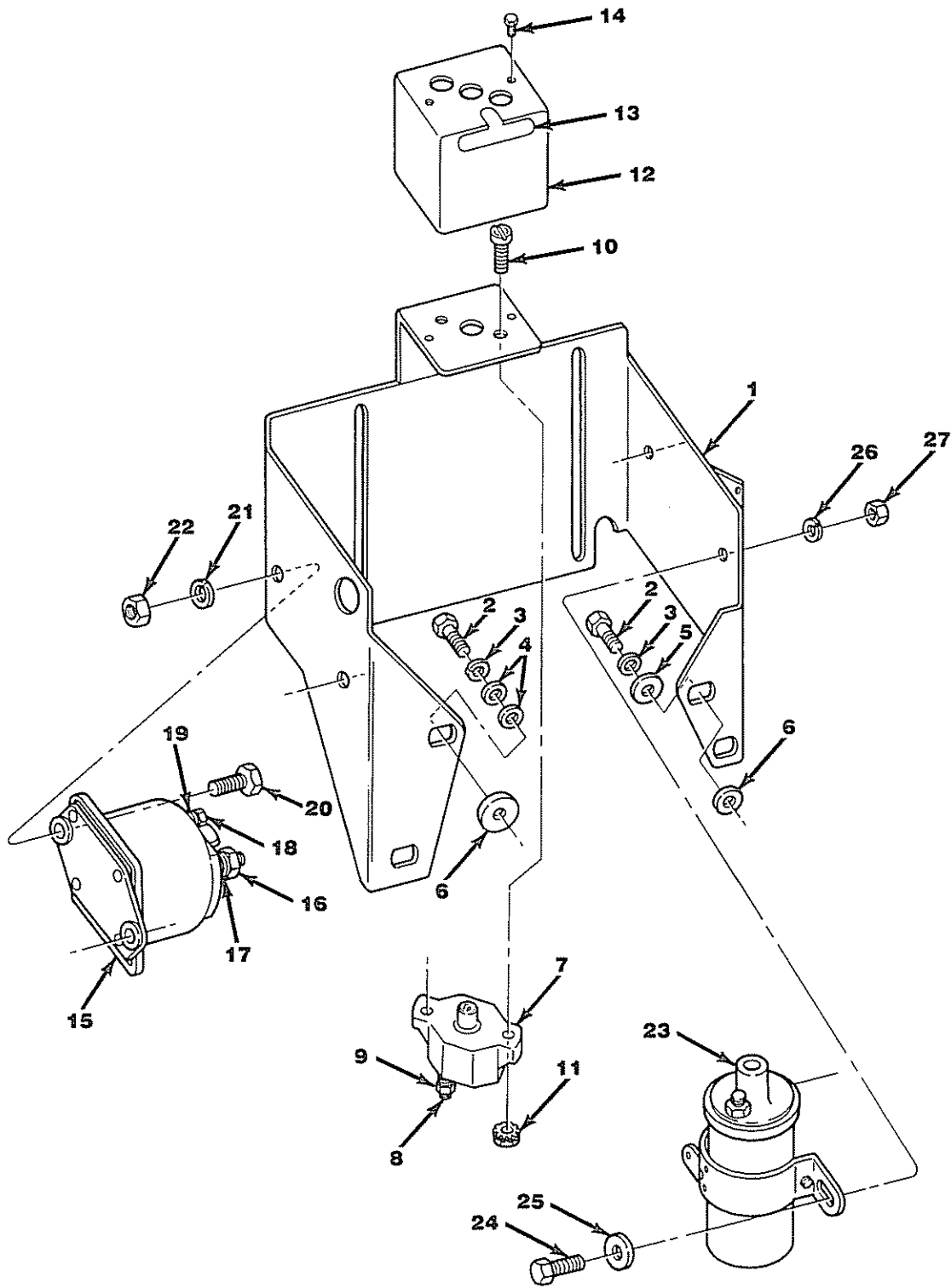


C305/350-021

MODEL C305/350 CID PARTS BOOK
WIRING HARNESS AND ELECTRICAL COMPONENTS – FIGURE 21

ITEM	PART NO.	DESCRIPTION	QUANTITY
1	98048	Wiring Harness – Prestolite Ignition (S/N 83807 and Below)	1
2	98049	Wire Assembly , relay to starter (Now included as part of 98048 harness)	1
1A	98072	Wiring Harness – Delco Ignition (S/N 83808 and Above)	1
3	38067	Wire Assembly , distributor to coil (Delco)	1
4	98073	Wire Assembly , distributor timing lead (Delco)	1
5	96566	Clamp , wiring harness mounting	1
6	2000147	Clamp , wiring harness mounting	1
7	700425	Oil Pressure Sender	1
7	700403	Oil Pressure Sender (Dual)	1
8	455777	Lockwasher , sender terminal	1
9	112432	Nut , sender terminal	1
7	22702	Oil Pressure Sender (VDO – S/S)	OPT
7	22704	Oil Pressure Sender (VDO – D/S)	OPT
8	30567	Fitting , tee	
9	105406	Nipple , pipe (1–1/2")	
10	97767	Oil Pressure Alarm Sender	1
11	271163	Nut , sender terminal	1
12	20326	Water Temperature Alarm Sender	1
13	106497	Lockwasher , sender screw	1
14	159997	Screw , wire attaching	1
15	700427	Water Temperature Sender	1
15	727046	Water Temperature Sender (Dual)	1
16	106090	Washer , sender terminal	1
17	455777	Lockwasher , sender terminal	1
18	112432	Nut , sender terminal	1
15	22701	Water Temperature Sender (VDO – S/S)	OPT
15	22703	Water Temperature Sender (VDO – D/S)	OPT
19	21088	Transmission Temperature Alarm Sender	1

MODEL C305/350 CID PARTS BOOK
ENGINE COMPONENT BRACKET (S/N 81834 AND ABOVE) - FIGURE 22

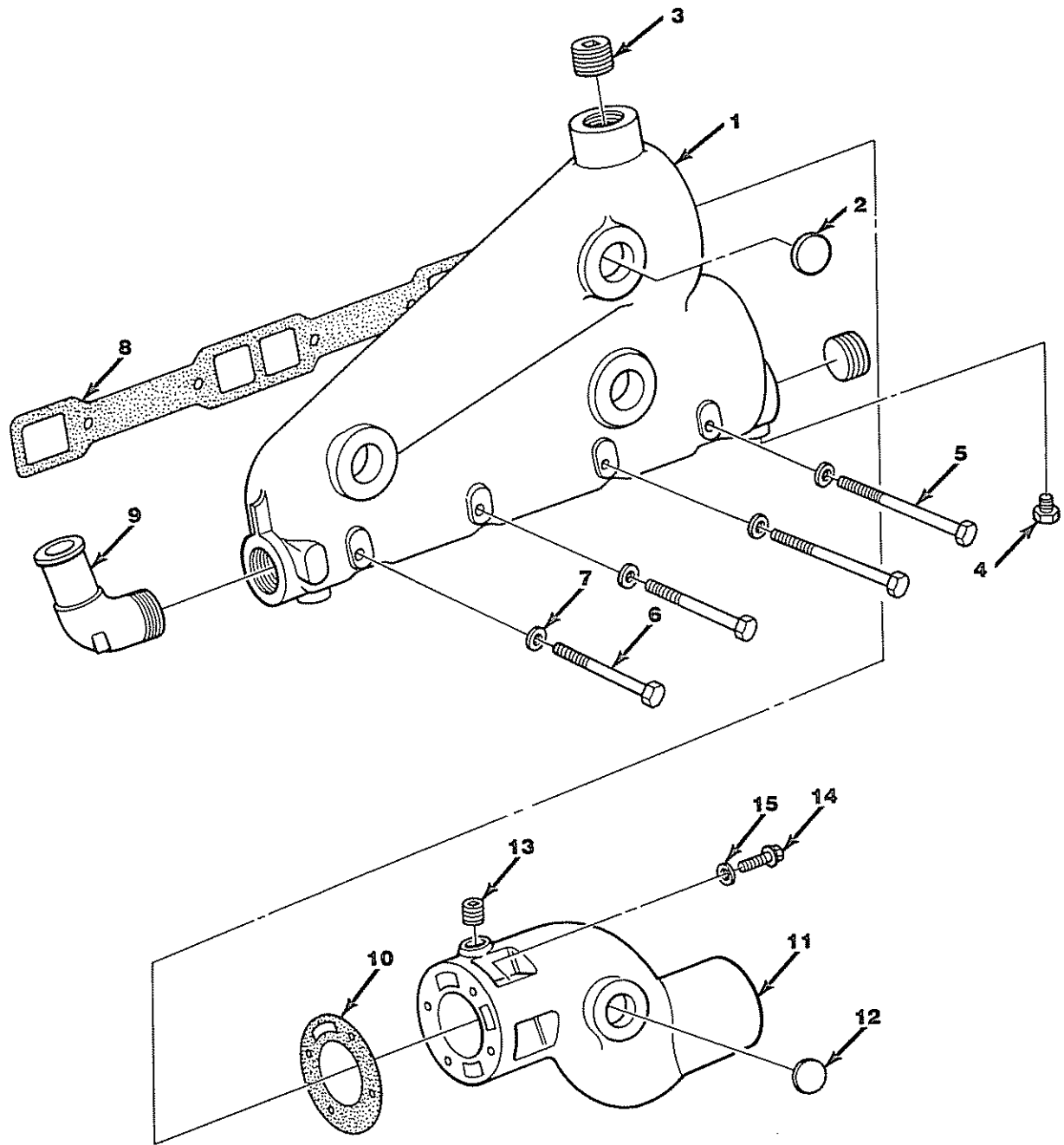


C305/350-022

MODEL C305/350 CID PARTS BOOK
ENGINE COMPONENT BRACKET (S/N 81834 AND ABOVE) – FIGURE 22

ITEM	PART NO.	DESCRIPTION	QUANTITY
1	98026	Bracket , rear component	1
2	179841	Bolt , bracket to cylinder head (1-1/2")	2
3	103321	Lockwasher , bracket mounting bolt	2
4	103341	Washer , bracket mounting bolt (RH side)	2
5	20465	Washer , bracket mounting bolt (LH side)	1
6	33189	Spacer , bracket to cylinder head	2
7	97568	Circuit Breaker (50 AMP)	1
8	21147	Washer , circuit breaker terminal	4
9	21148	Nut , circuit breaker terminal	2
10	22382	Bolt , circuit breaker to bracket (7/8")	2
11	22440	Nut , circuit breaker bolt	2
12	98104	Cover , circuit breaker	1
13	22155	Decal , circuit breaker	1
14	22140	Screw , cover attaching (3/8")	2
15	22611	Solenoid , starter relay	1
16	9413583	Nut , terminal	2
17	9417953	Lockwasher , terminal	2
18	112432	Nut , terminal	2
19	106497	Lockwasher , terminal	2
20	179795	Bolt , solenoid mounting (3/4")	2
21	103319	Lockwasher , solenoid mounting bolt	2
22	109084	Nut , solenoid mounting bolt	2
23	37068	Ignition Coil (S/N 83807 and below) (Prestolite Breakerless Ignition)	1
24	179795	Bolt , coil mounting (3/4")	2
25	103339	Washer , coil retaining – mounting bolt	2
26	103319	Lockwasher , coil mounting bolt	2
27	109084	Nut , coil mounting bolt	2

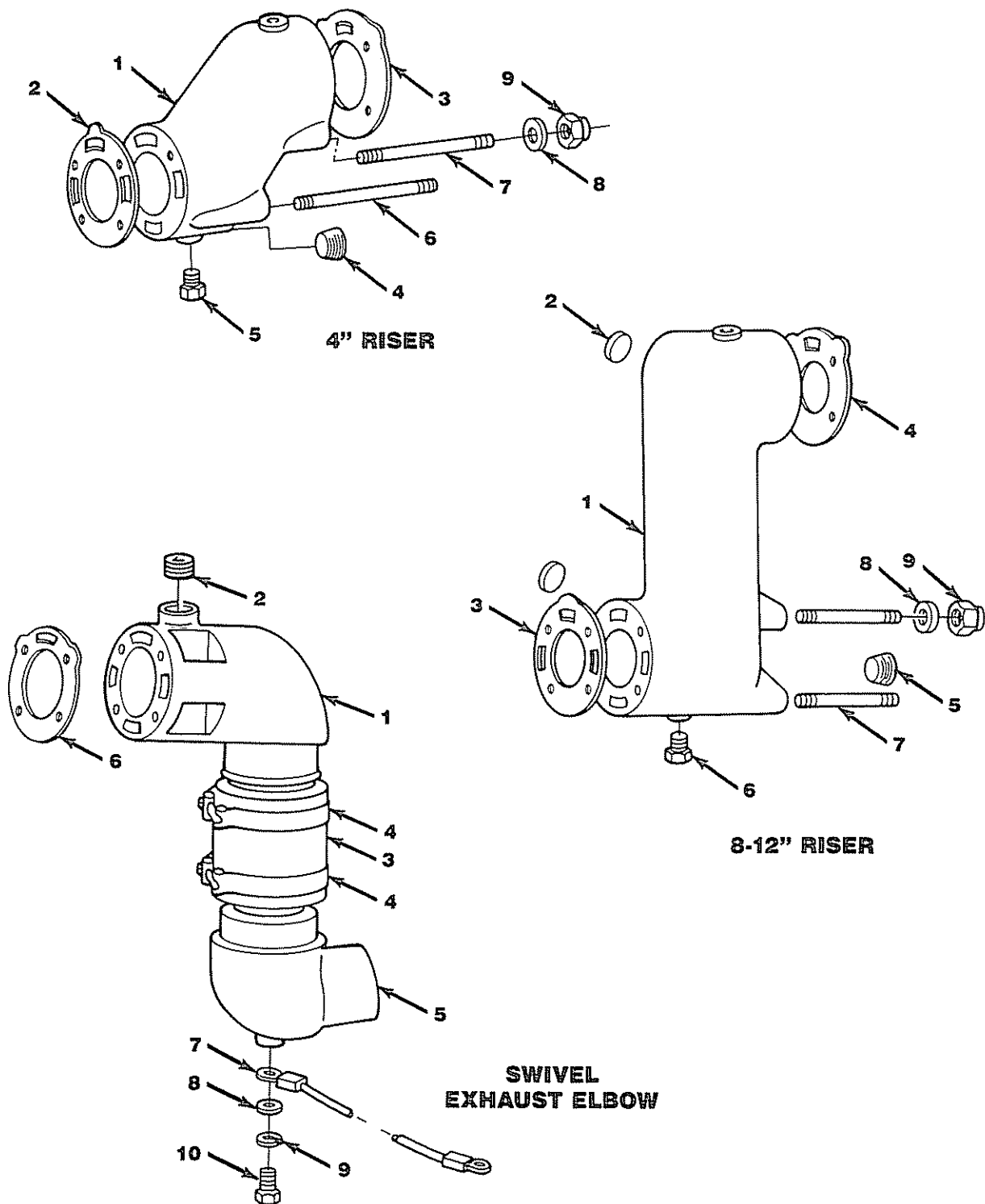
MODEL C305/350 CID PARTS BOOK
EXHAUST MANIFOLD ASSEMBLY – FIGURE 23



C305/350-023

MODEL C305/350 CID PARTS BOOK
EXHAUST MANIFOLD ASSEMBLY – FIGURE 23

ITEM	PART NO.	DESCRIPTION	QUANTITY
1	97752	Exhaust Manifold (Right Side)	1
1	97753	Exhaust Manifold (Left Side)	1
2	20244	Plug , core (1–1/4")	4
3	103876	Plug , exhaust manifold	4
4	127951	Plug , manifold drain	4
5	186289	Bolt , manifold to cylinder head (5")	8
6	187491	Bolt , manifold to cylinder head (5–1/2")	AR
7	103321	Lockwasher , manifold to head bolt	8
8	96306	Gasket , manifold to cylinder head ★ ▲ ■	2
9	97854	Elbow , 90 degree	2
10	96562	Gasket , manifold to elbow (1 Hole) ★	2
11	98068	Exhaust Elbow Assembly (3" Outlet)	2
11A	97924	Exhaust Elbow Assembly (4" Outlet)	OPT
12	20244	Plug , core (1–1/4")	4
13	113186	Plug , exhaust elbow	2
14	20257	Bolt , exhaust elbow attaching (1–1/4")	8
15	103321	Lockwasher , elbow attaching bolt	8
<p>NOTE: Exhaust manifolds are reversed on V-Drive engines. This may require the opposite manifold on these applications. Verify the part number cast into the manifold casting before ordering part.</p> <p>NOTE 1: See Fresh Water Cooling section for parts used on Fresh Water Cooled engines.</p> <p>NOTE 2: See Exhaust Systems Options for parts breakdown of optional exhaust risers and exhaust elbows.</p>			

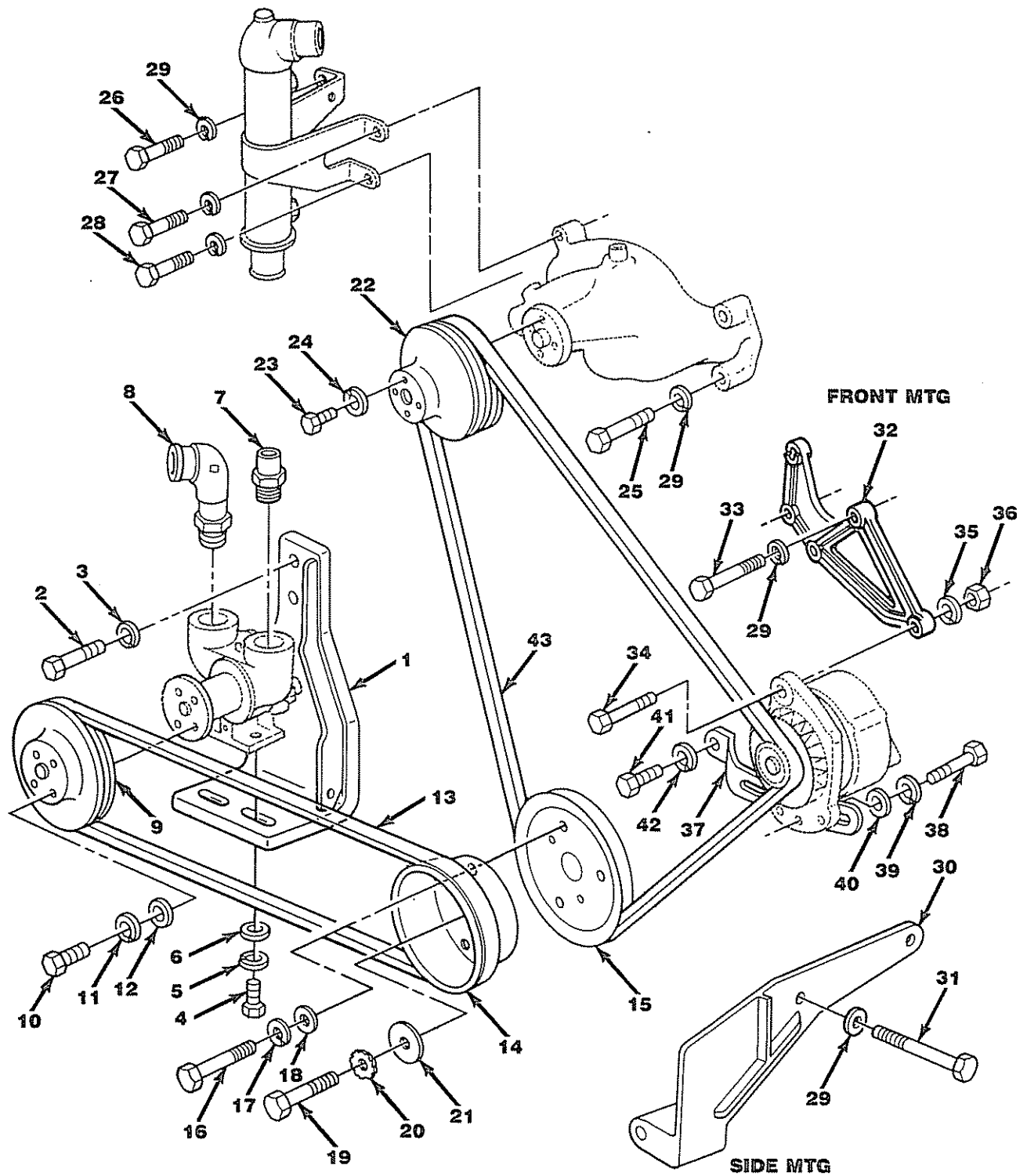


C305/350-024

MODEL C305/350 CID PARTS BOOK
EXHAUST SYSTEMS OPTIONS – FIGURE 24

ITEM	PART NO.	DESCRIPTION	QUANTITY
*	21134	Exhaust Riser Kit – (4 Inch)	1
1	97772	Exhaust Riser	2
2	96108	Gasket, manifold to riser (3 Hole)	2
3	96562	Gasket, riser to elbow (1 Hole)	2
4	113177	Plug, pipe (3/4")	2
5	127951	Plug, drain (1/4")	2
6	20471	Stud, riser mounting (5–3/4")	4
7	22033	Stud, riser mounting (7–3/4")	4
8	116103	Washer, copper sealing	8
9	20472	Nut, riser attaching	8
*	21136	Exhaust Riser Kit – (8 Inch)	1
1	97169	Exhaust Riser	2
2	20244	Plug, core (1–1/4")	2
3	96108	Gasket, manifold to riser (3 Hole)	2
4	96562	Gasket, riser to elbow (1 Hole)	2
5	113177	Plug, pipe (3/4")	2
6	127951	Plug, drain (1/4")	2
7	22033	Stud, riser mounting (7–3/4")	8
8	116103	Washer, copper sealing	8
9	20472	Nut, riser attaching	8
*	21138	Exhaust Riser Kit – (12 Inch)	1
1	11006	Exhaust Riser	2
2	20244	Plug, core (1–1/4")	2
3	96108	Gasket, manifold to riser (3 Hole)	2
4	96562	Gasket, riser to elbow (1 Hole)	2
5	113177	Plug, pipe (3/4")	2
6	127951	Plug, drain (1/4")	2
7	22033	Stud, riser mounting (7–3/4")	8
8	116103	Washer, copper sealing	8
9	20472	Nut, riser attaching	8
*	22472	Swivel Exhaust Elbow Kit – (4 Inch Outlet)	1
*	22095	Swivel Exhaust Elbow Kit – (3 Inch Outlet)	1
1	97386	Exhaust Elbow – Upper	2
2	113186	Plug, exhaust elbow	2
3	22221	Hose, elbow attaching	2
4	96455	Clamp, hose attaching	4
5	97624	Exhaust Elbow – Lower (4")	2
5A	97387	Exhaust Elbow – Lower (3")	2
6	96562	Gasket, elbow to manifold (1 Hole)	2
7	97839	Wire, ground	2
8	103339	Washer, ground wire bold	2
9	103319	Lockwasher, ground wire bolt	2
10	179791	Bolt, ground wire attaching (1/2")	2

MODEL C305/350 CID PARTS BOOK
PULLEYS, BELTS, AND MOUNTING HARDWARE – FIGURE 25

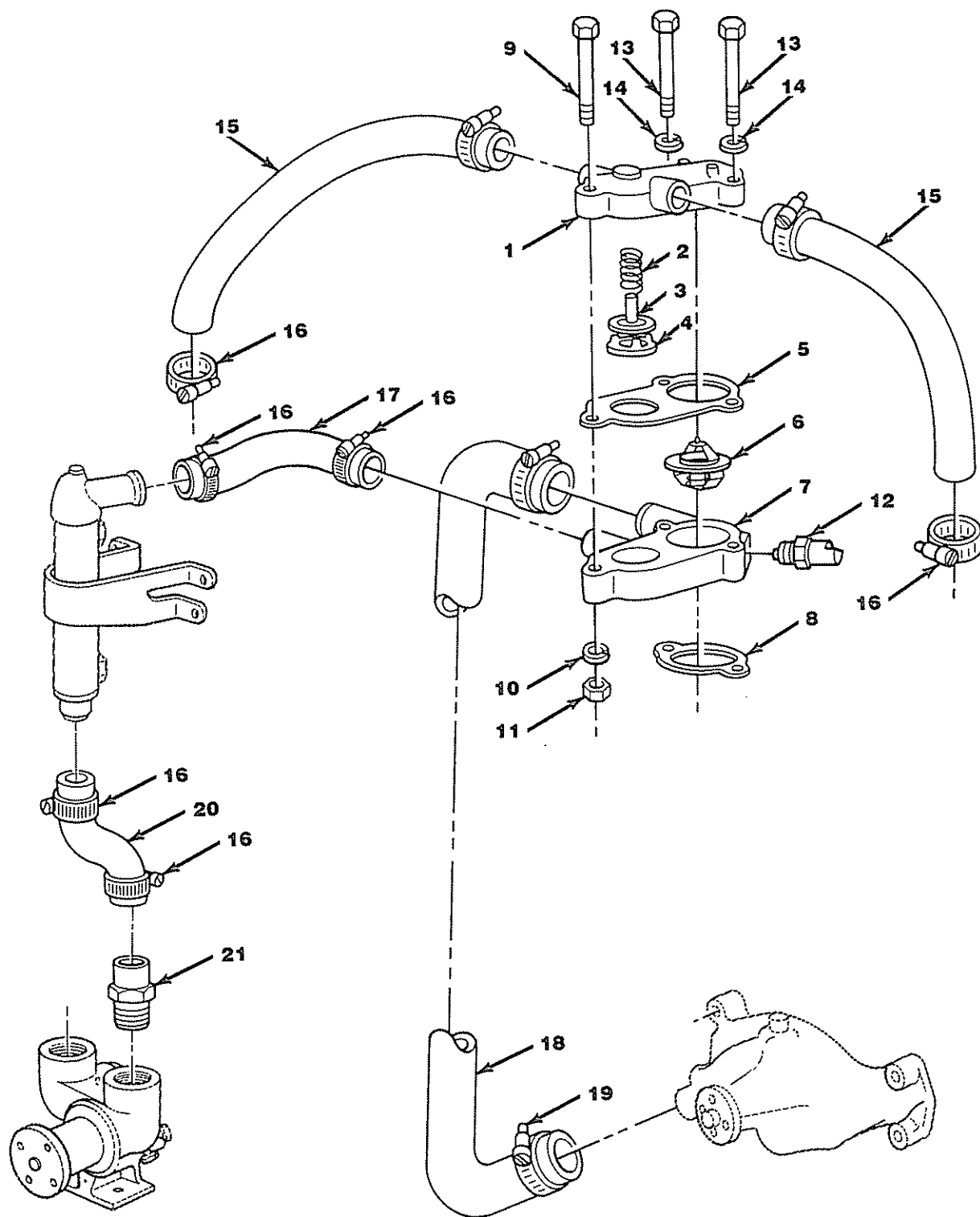


C305/350-025

MODEL C305/350 CID PARTS BOOK
PULLEYS, BELTS, AND MOUNTING HARDWARE – FIGURE 25

ITEM	PART NO.	DESCRIPTION	QUANTITY
1	96945	Bracket , raw water pump mounting	1
2	179839	Bolt , bracket to cylinder block (1")	2
3	103321	Lockwasher , mounting bolt	2
4	22249	Bolt , raw water pump adjusting (1")	2
5	103321	Lockwasher , adjusting bolt	2
6	20465	Washer , adjusting bolt	2
7	97852	Fitting , raw water pump – (straight)	1
8	97853	Fitting , raw water pump – (long 90 degree)	AR
8	97854	Fitting , raw water pump – (short 90 degree)	AR
9	97952	Pulley , raw water pump	1
10	181336	Bolt , pulley attaching (3/4")	4
11	9417953	Lockwasher , attaching bolt	4
12	9418304	Washer , attaching bolt	4
13	97178	Belt , raw water drive	1
14	97951	Pulley , crankshaft to raw water pump	1
15	97955	Pulley , crankshaft to alternator	1
16	181364	Bolt , pulley to balancer (1")	3
17	103321	Lockwasher , pulley attaching bolt	3
18	103341	Washer , pulley attaching bolt	3
19	181408	Bolt , pulley to crankshaft (2–1/2")	1
20	136857	Lockwasher , crankshaft bolt	1
21	33189	Washer , crankshaft bolt	1
22	20114	Pulley , engine water pump	1
23	181336	Bolt , water pump pulley (3/4")	4
24	9417953	Lockwasher , water pump pulley bolt	4
25	179845	Bolt , circulating pump attaching (1–1/2")	2
26	179837	Bolt , oil cooler attaching (3/4")	1
27	179847	Bolt , oil cooler attaching (2")	1
28	179850	Bolt , oil cooler attaching (2–3/4")	1
29	103321	Lockwasher , attaching bolt	7
		** Exhaust Manifold Mounting **	
30	96422	Bracket , alternator mounting, side mounting	1
31	187491	Bolt , alternator bracket mounting (5–1/2")	2
		** Cylinder Head Mounting **	
32	97995	Bracket , alternator mounting, front mounting	1
33	179848	Bolt , alternator bracket mounting (2–1/4")	2
34	179893	Bolt , alternator attaching (3")	1
34A	9419111	Bolt , alternator attaching (2–3/4")	1
35	9419665	Lockwasher , attaching bolt	1
36	9418828	Nut , attaching bolt	1
37	97061	Strap , alternator adjusting	1
38	9418918	Bolt , alternator adjusting (1")	1
39	9417953	Lockwasher , alternator adjusting bolt	1
40	20523	Washer , alternator adjusting bolt	1
41	179837	Bolt , adjusting strap to block (1")	1
42	103321	Lockwasher , adjusting strap bolt	1
43	96307	Belt , alternator drive	1

MODEL C305/350 CID PARTS BOOK
RAW WATER COOLING COMPONENTS – FIGURE 26

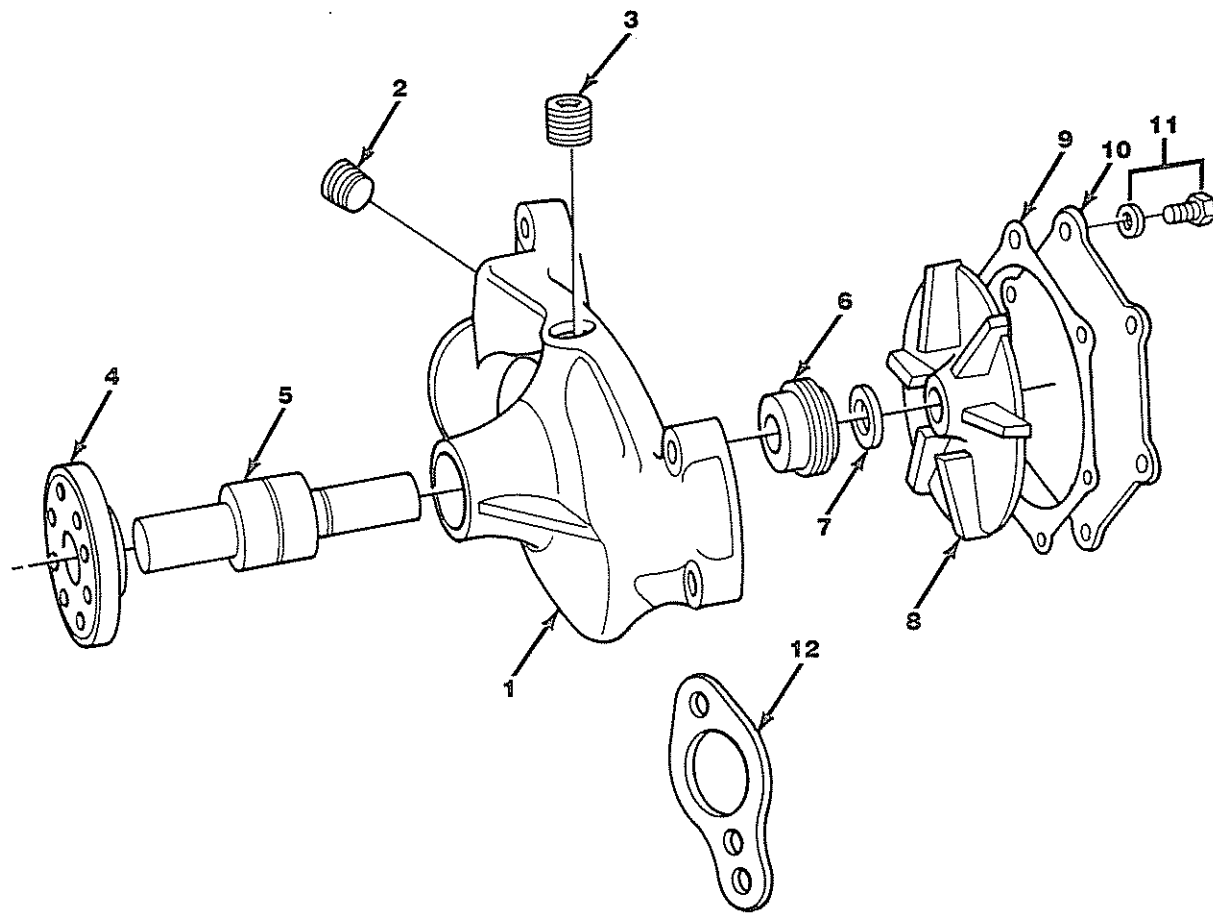


C305/350-026

MODEL C305/350 CID PARTS BOOK
 RAW WATER COOLING COMPONENTS – FIGURE 26

ITEM	PART NO.	DESCRIPTION	QUANTITY
*	22366	Thermostat Housing Assembly Complete	1
1	97556	Thermostat Housing, upper	1
2	96686	Spring, pressure relief	1
3	96066	Valve, pressure relief	1
4	96065	Seat, pressure relief	1
5	97361	Gasket, thermostat housing ★ ▲ ■	1
6	96319	Thermostat, (143 degree)	1
7	97557	Thermostat Housing, lower	1
8	96105	Gasket, thermostat housing ★ ▲ ■	1
9	186283	Bolt, thermostat housing (3-1/2")	1
10	103321	Lockwasher, thermostat housing bolt	1
11	102635	Nut, thermostat housing bolt	1
12	20326	Sender, temperature alarm	1
13	186285	Bolt, thermostat housing to intake (4")	2
14	103321	Lockwasher, thermostat housing bolt	2
15	97909	Hose, thermostat housing to manifolds	2
16	20228	Clamp, water hose	8
17	97902	Hose, oil cooler to thermostat housing	1
18	96296	Hose, water pump to thermostat housing	1
19	20420	Clamp, hose	2
20	97310	Hose, water pump to oil cooler	1
21	97852	Fitting, hose	1

MODEL C305/350 CID PARTS BOOK
ENGINE WATER CIRCULATION PUMP – FIGURE 27

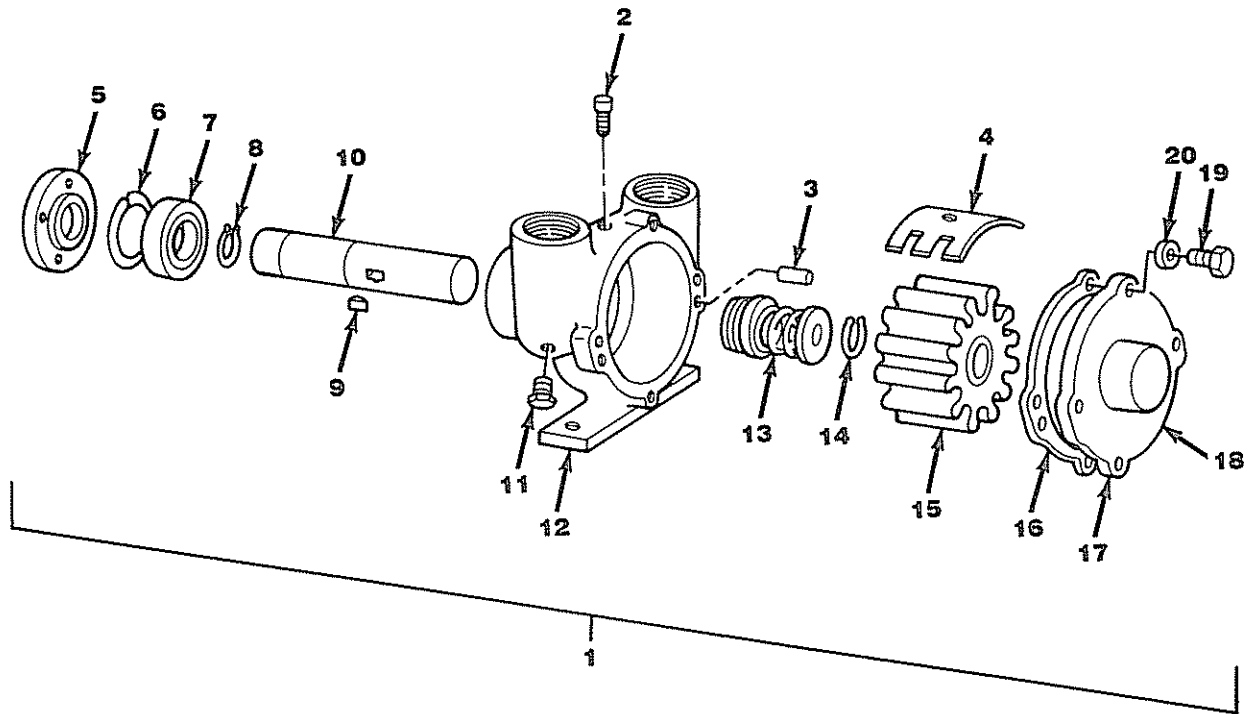


C305/350-027

MODEL C305/350 CID PARTS BOOK
ENGINE WATER CIRCULATION PUMP – FIGURE 27

ITEM	PART NO.	DESCRIPTION	QUANTITY
*	20318	Water Pump Assembly	1
1	NSS	Housing, water pump	1
2	444705	Plug, pump housing (1/2")	2
3	113177	Plug, pump housing (3/4")	
4	96972	Hub, drive pulley	1
5	96996	Bearing and Shaft Assembly	1
6	96122	Seal Assembly	1
7	96971	Seat, seal	1
8	96995	Impeller, water pump	1
9	20584	Gasket, impeller housing cover	1
10	96217	Cover, impeller housing	1
11	30248	Bolt, cover attaching	6
12	91112	Gasket, water pump to cylinder block ★ ■	2
=====			
Repair Kits:			
=====			
	Kit Part No.	Description	
	20515	Impeller Kit (Includes items 5, 6, 7, 8, 9 and 12)	

MODEL C305/350 CID PARTS BOOK
RAW WATER COOLING PUMP – FIGURE 28

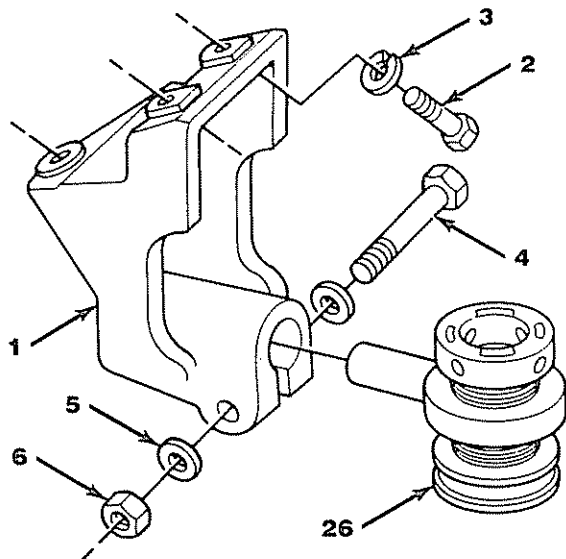


C305/350-028

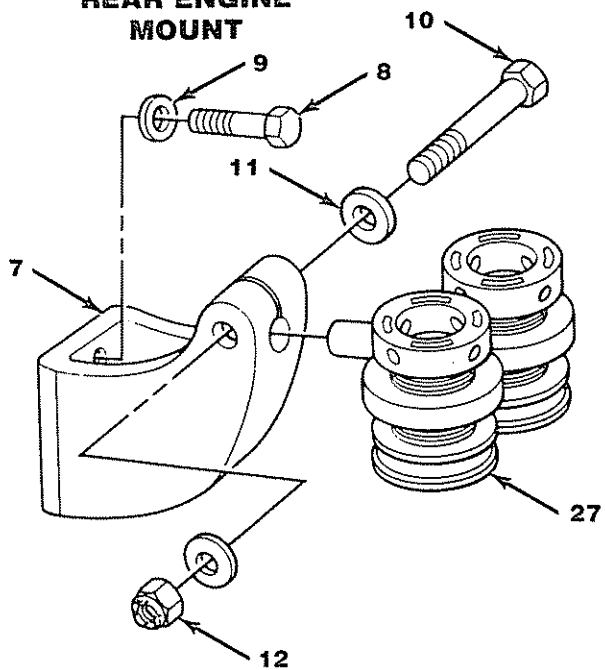
MODEL C305/350 CID PARTS BOOK
RAW WATER COOLING PUMP – FIGURE 28

ITEM	PART NO.	DESCRIPTION	QUANTITY
1	97179	Raw Water Pump Assembly	1
2	20298	Screw , cam retaining	1
3	20290	Pin , dowel – cover alignment	1
4	20303	Cam , eccentric	1
5	97176	Hub , drive	1
6	20294	Retainer , bearing	1
7	20292	Bearing , shaft	1
8	20293	Retainer , shaft	2
9	20295	Key , impeller drive	1
10	20304	Shaft Assembly	1
11	127950	Plug , pump drain	2
12	20307	Housing , water pump	1
13	20309	Seal and Seat Assembly	1
14	20293	Retainer , shaft	1
15	20300	Impeller , water pump	1
16	20302	Gasket , rear cover	1
17	20308	Cover and Bushing Assembly	1
18	20296	Bushing , shaft (Not Shown)	1
19	20291	Bolt , rear cover attaching	4
20	20305	Lockwasher , cover bolt	4
=====			
Repair Kits:			
=====			
	Kit Part No.	Description	
	20310	Impeller Kit (Includes items 15 and 16)	
	20311	Overhaul Kit, Major (Includes items 4, 6, 7, 8, 9, 13, 15, 16, and 18)	

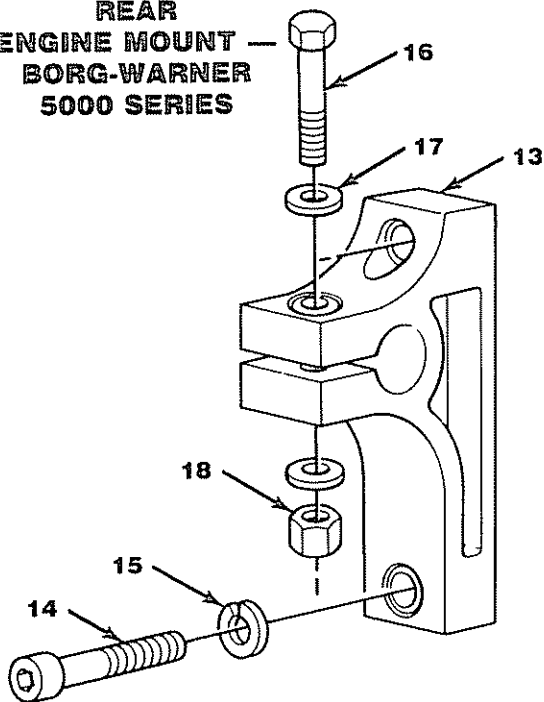
**STANDARD
 FRONT ENGINE
 MOUNT**



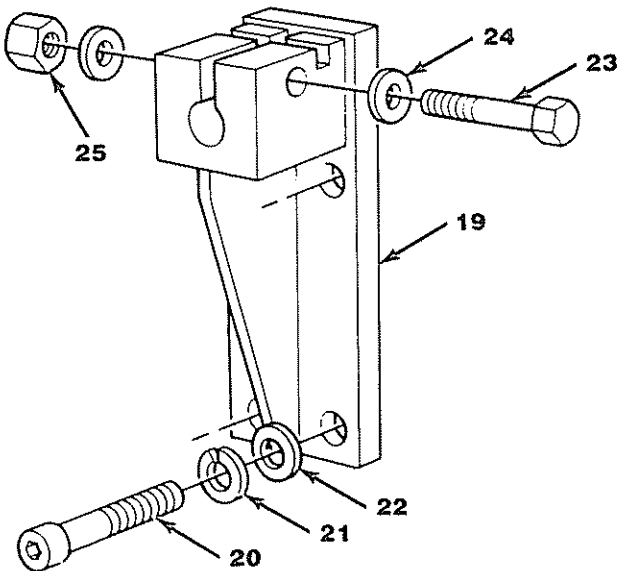
**STANDARD
 REAR ENGINE
 MOUNT**



**REAR
 ENGINE MOUNT
 BORG-WARNER
 5000 SERIES**



**REAR
 ENGINE MOUNT —
 HURTH TRANSMISSION**

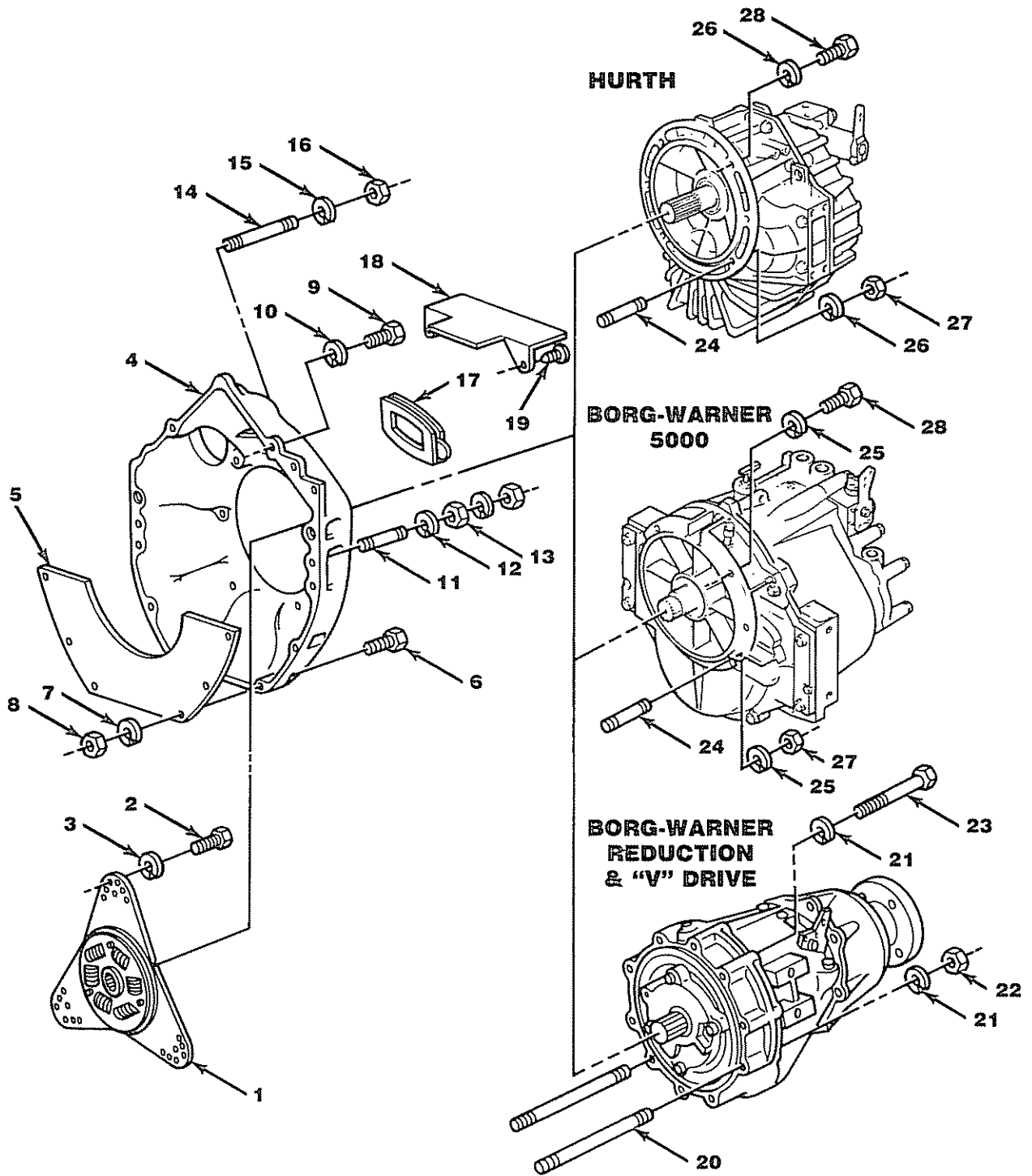


C305/350-029

MODEL C305/350 CID PARTS BOOK
ENGINE AND TRANSMISSION MOUNTS – FIGURE 29

ITEM	PART NO.	DESCRIPTION	QUANTITY
** Standard Front Engine Mount ***			
1	97938	Bracket , engine mounting (Front)	2
2	179841	Bolt , bracket to engine (1-1/4")	6
3	103321	Lockwasher , bracket mounting bolt	6
4	454916	Bolt , trunnion shaft (2-1/4")	2
5	103341	Washer , trunnion bolt	4
6	22436	Nut , trunnion bolt – locking	2
** Standard Rear Engine Mount ***			
7	97917	Bracket , engine mounting (Rear)	2
8	179860	Bolt , bracket to transmission (1-1/4")	4
9	103322	Lockwasher , bracket mounting bolt	4
10	9423205	Bolt , trunnion shaft (3-1/4")	2
11	103341	Washer , trunnion bolt	4
12	22436	Nut , trunnion bolt – locking	2
** Rear Engine Mount – Borg-Warner 5000 Series ***			
13	98224	Bracket , transmission mounting (Starboard)	1
13	98225	Bracket , transmission mounting (Port)	1
14	21149	Bolt , bracket to transmission (12mm x 60mm)	4
15	21113	Lockwasher (12mm)	4
16	454916	Bolt , trunnion shaft (3-1/4")	2
17	103341	Washer , trunnion bolt	4
18	22436	Nut , trunnion bolt – locking	2
** Rear Engine Mount – Hurth Transmission ***			
19	98077	Bracket , engine mounting (Rear)	2
20	21144	Bolt , bracket to transmission (12mm x 35mm)	8
21	21145	Lockwasher (12mm)	8
22	21146	Washer (12mm)	8
23	9426907	Bolt , trunnion shaft (3-1/4")	2
24	103341	Washer , trunnion bolt	4
25	22436	Nut , trunnion bolt – locking	2
** Mount Supports ***			
26	97926	Mount , engine support (Single Front)	2
27	97906	Mount , engine support (Dual Rear)	2

MODEL C305/350 CID PARTS BOOK
BELLHOUSING ASSEMBLY - FIGURE 30

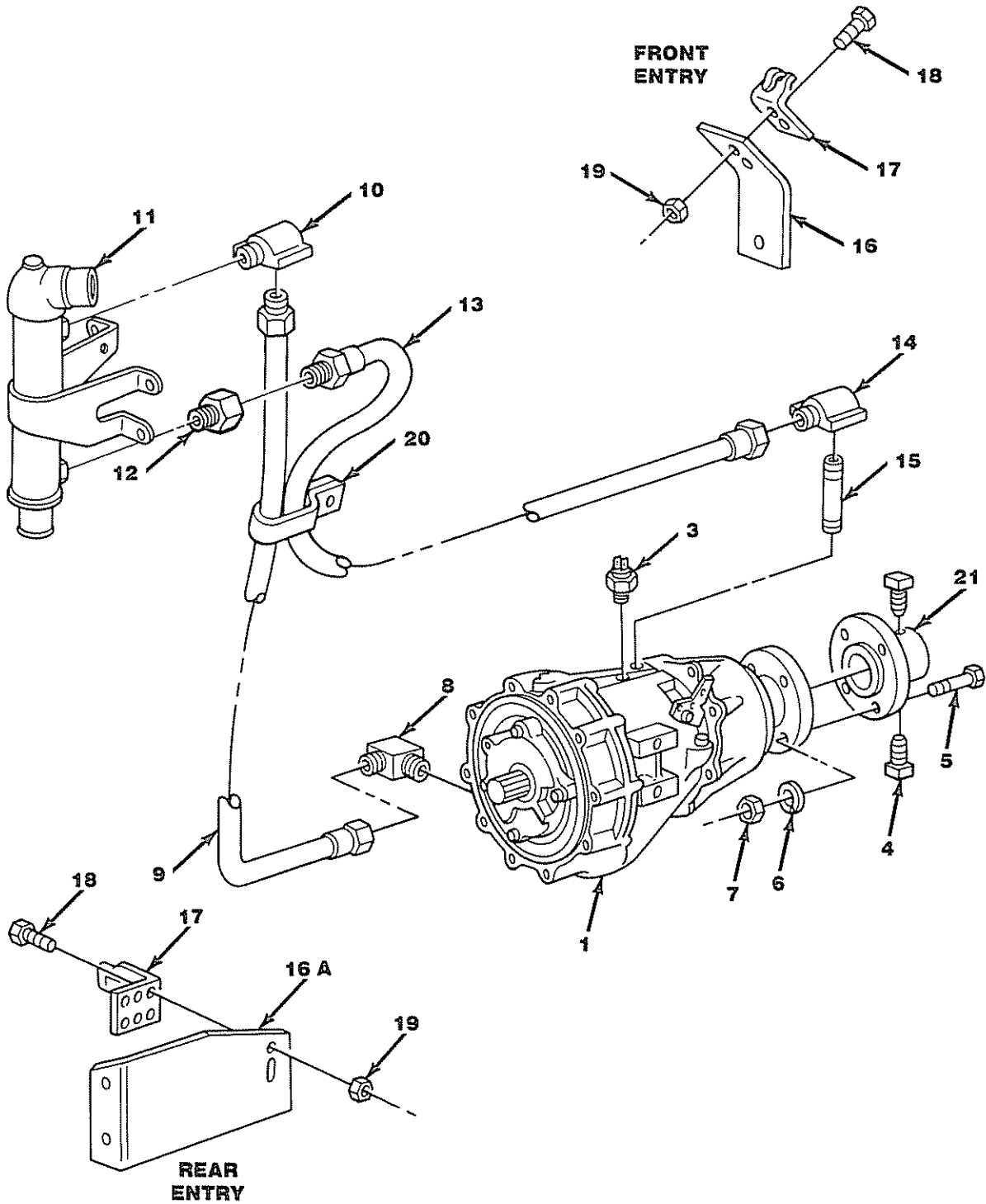


C305/350-030

MODEL C305/350 CID PARTS BOOK
 BELLHOUSING ASSEMBLY – FIGURE 30

ITEM	PART NO.	DESCRIPTION	QUANTITY
1	97596	Drive Damper Assembly	1
2	22030	Bolt , damper to flywheel (1")	6
3	103321	Lockwasher , damper bolt	6
4	96938	Bellhousing , flywheel (S/N 81833 and Below)	1
4	97999	Bellhousing , flywheel (S/N 81834 and Above)	1
5	97315	Cover , bellhousing (S/N 81833 and Below)	1
5	98015	Cover , bellhousing (S/N 81834 and Above)	1
6	179799	Bolt , cover to bellhousing (1-1/4")	6
7	103319	Lockwasher , cover bolt	6
8	109084	Nut , cover bolt	6
9	179841	Bolt , bellhousing to block (1-1/4")	2
10	103321	Lockwasher , bellhousing bolt	2
11	22455	Stud , bellhousing mounting (2-3/4")	2
12	103321	Lockwasher , mounting stud	4
13	102635	Nut , mounting stud	4
14	96433	Stud , starter mounting (1-5/8")	2
15	103322	Lockwasher , starter mounting stud	2
16	102636	Nut , starter mounting stud	2
17	96350	Boot , timing hole cover	1
18	NSS*	Timing/Serial Plate	1
19	97043	Screw , drive – timing plate attaching	2
** Borg-Warner Reduction & "V"-Drive **			
20	96541	Stud , transmission mounting (4")	2
21	136857	Lockwasher , transmission mounting	6
22	102635	Nut , transmission mounting stud	2
23	179872	Bolt , transmission mounting	4
** Borg-Warner 5000 & Hurth Series **			
24	96433	Stud , transmission mounting (1-5/8")	2
25	103322	Lockwasher , transmission mounting	6
26	136857	Lockwasher , transmission mounting	6
27	102636	Nut , transmission mounting stud	2
28	179860	Bolt , transmission mounting	4

MODEL C305/350 CID PARTS BOOK
TRANSMISSION AND RELATED PARTS (BORG-WARNER IN-LINE) – FIGURE 31



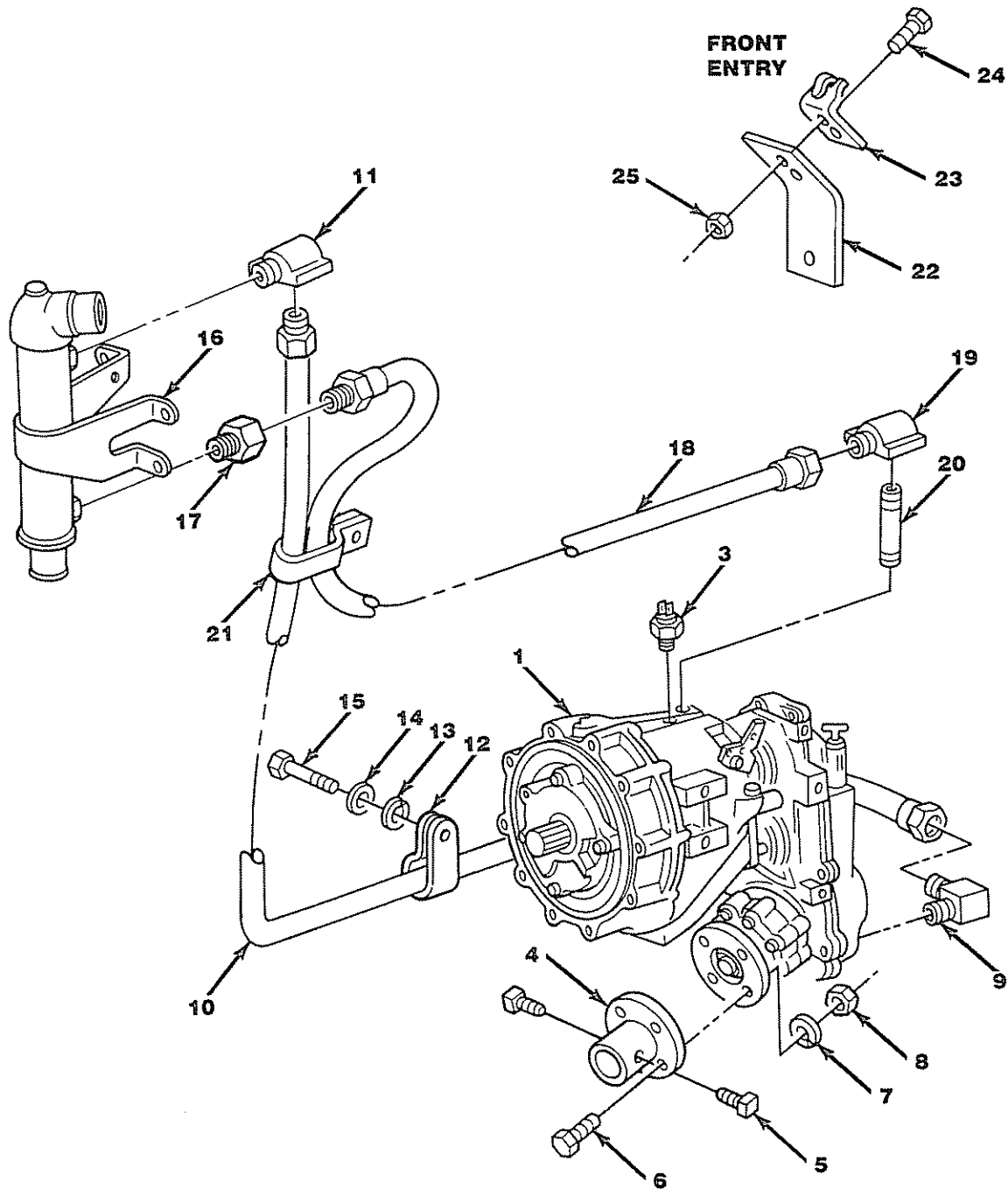
C305/350-031

MODEL C305/350 CID PARTS BOOK
TRANSMISSION AND RELATED PARTS (BORG-WARNER IN-LINE) – FIGURE 31

ITEM	PART NO.	DESCRIPTION	QUANTITY
1	25471	Transmission (1:1 direct drive)	1
1	9001545	Transmission (1.52:1 reduction)	1
1	25514	Transmission (1.88:1 reduction)	1
1	1001512	Transmission (2.57:1 reduction)	1
1	1001513	Transmission (2.91:1 reduction)	1
2	20171	Switch Kit , neutral start	1
2A	25542	Switch & O-Ring Assy (not shown)	1
3	21088	Sender , temperature alarm	1
4	2000090	Screw , set — coupler (1–1/4")	2
5	22136	Bolt , coupling (1–1/2")	4
6	103322	Lockwasher , coupling bolt	4
7	272231	Nut , coupling bolt	4
		} 5" Flange	
5A	22135	Bolt , coupling (1–1/2")	4
6A	103321	Lockwasher , coupling bolt	4
7A	115287	Nut , coupling bolt	4
		} 4" Flange	
8	30526	Elbow , hose — transmission (90 degrees)	1
9	22628	Hose Assembly , transmission to cooler (D.D.) (47")	1
9A	22618	Hose Assembly , transmission to cooler (RED.) (42")	1
10	137425	Elbow , hose — oil cooler (90 degrees)	1
11	97886	Oil Cooler Assembly	1
11A	97886A	Oil Cooler Assembly (Cupro-Nickel)	OPT
12	137409	Fitting , hose to cooler (straight)	1
13	22623	Hose Assembly , transmission to cooler (44")	1
14	30516	Elbow , hose — transmission (90 degrees)	1
15	144603	Nipple , pipe (3") — Reduction	1
15	120278	Nipple , pipe (2") — Direct Drive	1
16	96341	Shift Bracket (front entry)	1
16A	97471	Shift Bracket (rear entry)	OPT
17	21033	Cable Clip , single cable	1
17A	22232	Cable Clip , dual cable	OPT
18	443874	Bolt , clip attaching (1/2")	2
19	22440	Nut , attaching bolt	2
20	22112	Clamp , oil hose mounting	2

	Propeller Shaft Coupling Listing Flange Size	4 Inch Flange	5 Inch Flange
21	Coupler , prop shaft (1" shaft)	91685	91690
	Coupler , prop shaft (1–1/8" shaft)	91686	91691
	Coupler , prop shaft (1–1/4" shaft)	91687	91692
	Coupler , prop shaft (1–3/8" shaft)	91688	91693
	Coupler , prop shaft (1–1/2" shaft)	91689	91694
	Coupler , prop shaft (1–3/4" shaft)	N/A	91695
	Coupler , prop shaft (2" shaft)	N/A	91696

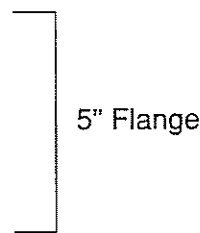
MODEL C305/350 CID PARTS BOOK
TRANSMISSION AND RELATED PARTS (BORG-WARNER V-DRIVE) – FIGURE 32



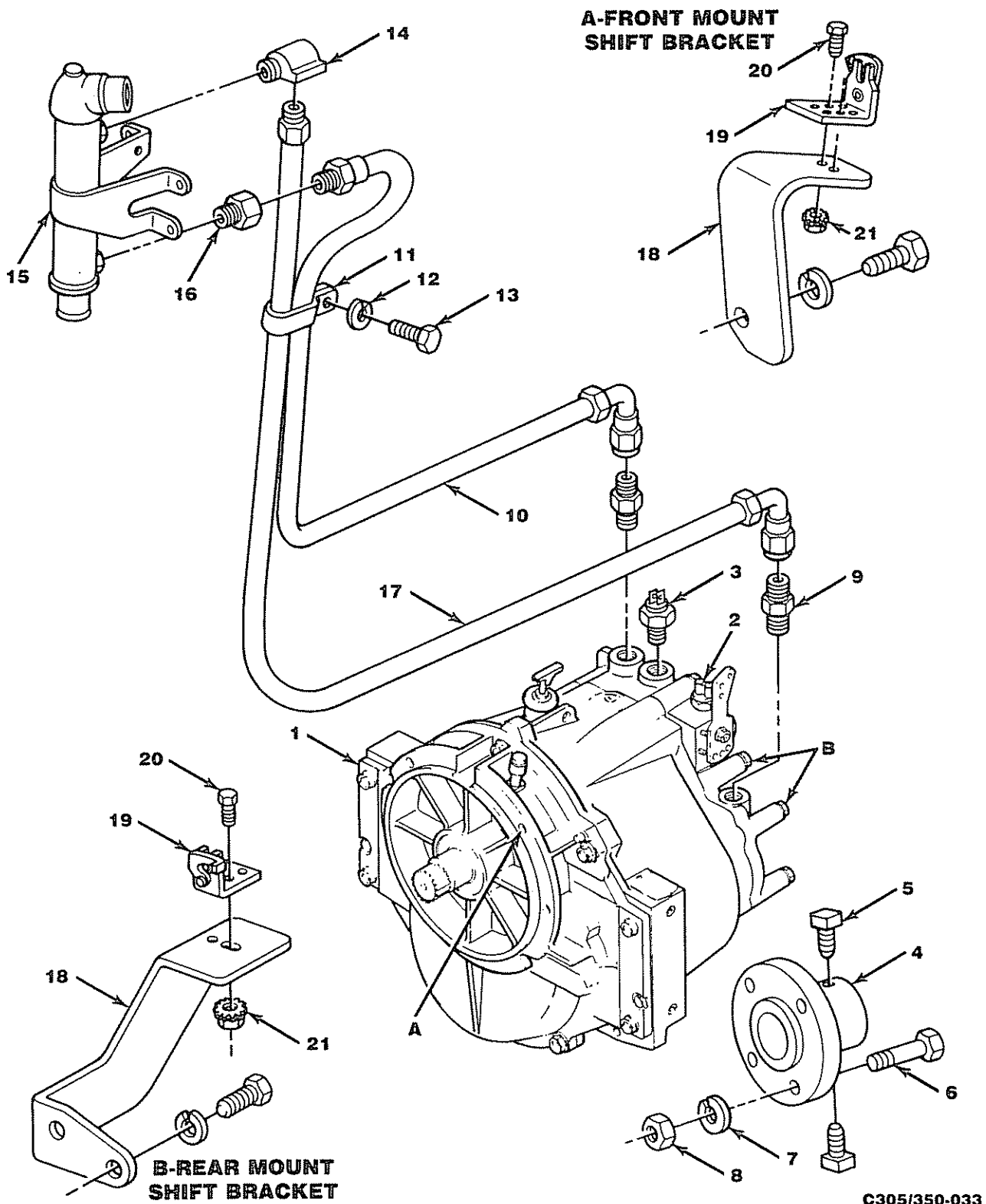
C305/350-032

MODEL C305/350 CID PARTS BOOK
TRANSMISSION AND RELATED PARTS (BORG-WARNER V-DRIVE) – FIGURE 32

ITEM	PART NO.	DESCRIPTION	QUANTITY
1	25448	Transmission (0.96:1 Direct Drive)	1
1	25449	Transmission (1.21:1 Reduction)	1
1	25447	Transmission (1.51:1 Reduction)	1
1	25450	Transmission (1.99:1 Reduction)	1
1	25451	Transmission (2.49:1 Reduction)	1
1	25452	Transmission (3.14:1 Reduction)	1
2	20171	Switch Kit , neutral start (Not Shown)	1
2A	25542	Switch & O-Ring Assy (Not Shown)	1
3	21088	Sender , temperature alarm	1
4	91690	Coupler , prop shaft (1" shaft)	OPT
4	91691	Coupler , prop shaft (1-1/8" shaft)	OPT
4	91692	Coupler , prop shaft (1-1/4" shaft)	OPT
4	91693	Coupler , prop shaft (1-3/8" shaft)	OPT
4	91694	Coupler , prop shaft (1-1/2" shaft)	OPT
4	91695	Coupler , prop shaft (1-3/4" shaft)	OPT
4	91696	Coupler , prop shaft (2" shaft)	OPT
5	2000090	Screw , set – coupler (1-1/4")	2
6	22136	Bolt , coupling (1-1/2")	4
7	103322	Lockwasher , coupling bolt	4
8	272231	Nut , coupling bolt	4
9	30526	Elbow , hose – transmission (90 degree)	1
10	22620	Hose Assembly , trans to cooler (62")	1
11	137425	Elbow , hose – oil cooler (90 degree)	1
12	20247	Clamp , oil line retaining	1
13	106263	Washer , retaining clamp bolt	1
14	103322	Lockwasher , retaining clamp bolt	1
15	179858	Bolt , retaining clamp (1")	1
16	97886	Oil Cooler Assembly	1
16A	97886A	Oil Cooler Assembly (Cupro-Nickel)	OPT
17	137409	Fitting , hose – oil cooler (straight)	1
18	22623	Hose Assembly , trans to cooler (44")	1
19	30516	Elbow , hose – transmission (90 degree)	1
20	144603	Nipple , pipe (3")	1
21	22112	Clamp , oil line retaining	2
22	96341	Shift Bracket (front entry)	1
23	21033	Cable Clip , single cable	1
23A	22232	Cable Clip , dual cable	OPT
24	443874	Bolt , clip attaching (1/2")	2
25	22440	Nut , attaching bolt	2



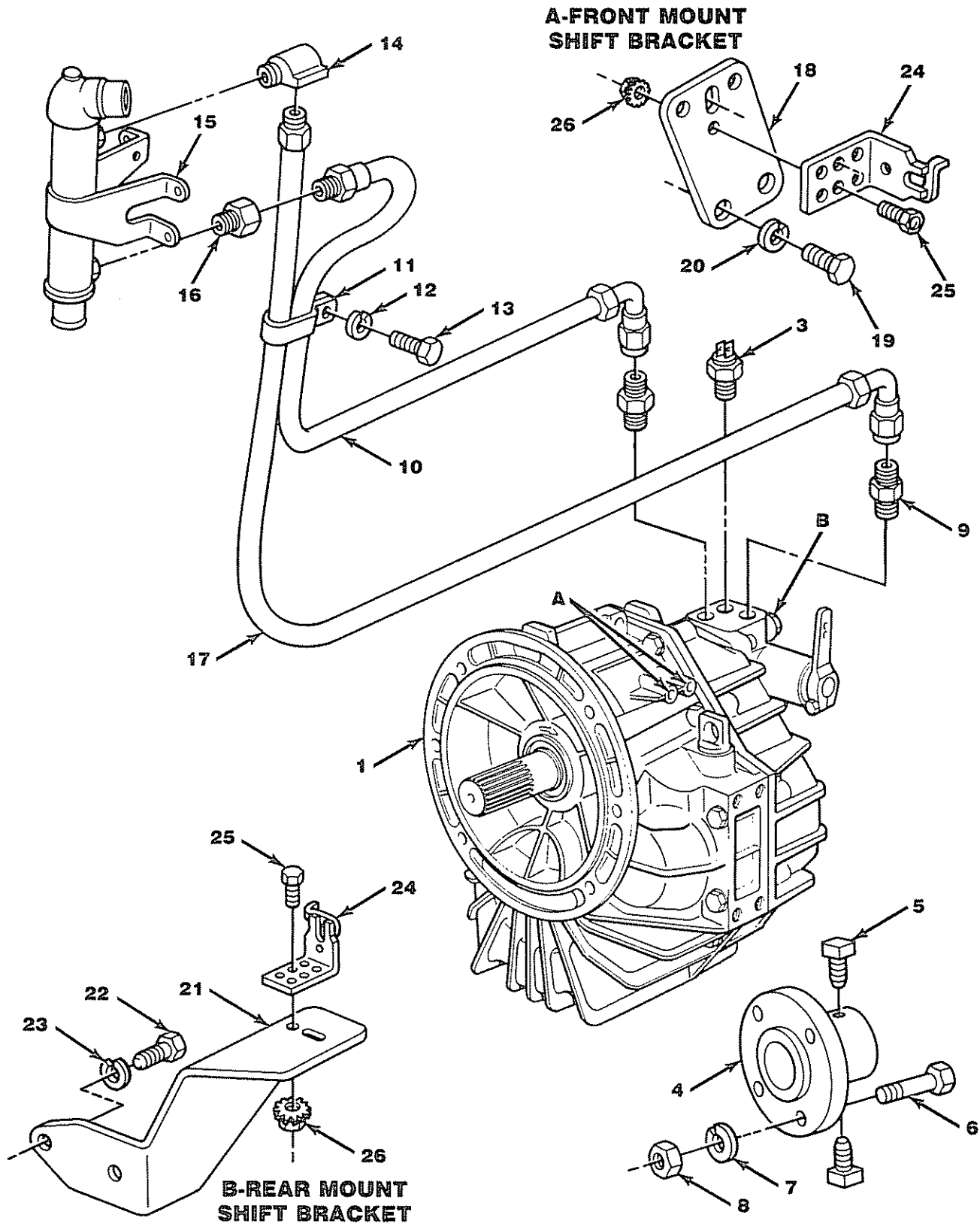
MODEL C305/350 CID PARTS BOOK
 TRANSMISSION AND RELATED PARTS (BORG-WARNER 5000) – FIGURE 33



MODEL C305/350 CID PARTS BOOK
TRANSMISSION AND RELATED PARTS (BORG-WARNER 5000) – FIGURE 33

ITEM	PART NO.	DESCRIPTION	QUANTITY
1	26003	Transmission (1.50:1 Reduction)	1
1	26004	Transmission (2.00:1 Reduction)	1
1	26005	Transmission (2.45:1 Reduction)	1
1	26006	Transmission (2.80:1 Reduction)	1
2	25542	Switch , neutral start	1
3	21088	Sender , temperature alarm	1
4	91690	Coupler , prop shaft (1" shaft)	OPT
4	91691	Coupler , prop shaft (1-1/8" shaft)	OPT
4	91692	Coupler , prop shaft (1-1/4" shaft)	OPT
4	91693	Coupler , prop shaft (1-3/8" shaft)	OPT
4	91694	Coupler , prop shaft (1-1/2" shaft)	OPT
4	91695	Coupler , prop shaft (1-3/4" shaft)	OPT
4	91696	Coupler , prop shaft (2" shaft)	OPT
5	2000090	Screw , set – coupler (1-1/4")	2
6	22136	Bolt , coupling (1-1/2")	4
7	103322	Lockwasher , coupling bolt	4
8	272231	Nut , coupling bolt	4
9	30603	Fitting , hose	2
10	22909	Hose Assembly , transmission to cooler (50-1/2")	1
11	22112	Clamp , oil line retaining	2
12	103321	Lockwasher , retaining clamp bolt	1
13	20257	Bolt , retaining clamp	1
14	137425	Elbow , hose to cooler (90-degree)	1
15	97886	Oil Cooler Assembly	1
16	137409	Fitting , hose to cooler (straight)	1
17	22910	Hose Assembly , transmission to cooler (56-1/2")	1
18A	98227	Shift Bracket (Front Entry)	1
18B	98143	Shift Bracket (Rear Entry)	OPT
19	21033	Cable Clip , single cable	1
19	22232	Cable Clip , dual cable kit	OPT
20	443874	Bolt , clip attaching (1/2")	2
21	22440	Nut , attaching bolt	2

MODEL C305/350 CID PARTS BOOK
 TRANSMISSION AND RELATED PARTS (HURTH GEAR) – FIGURE 34

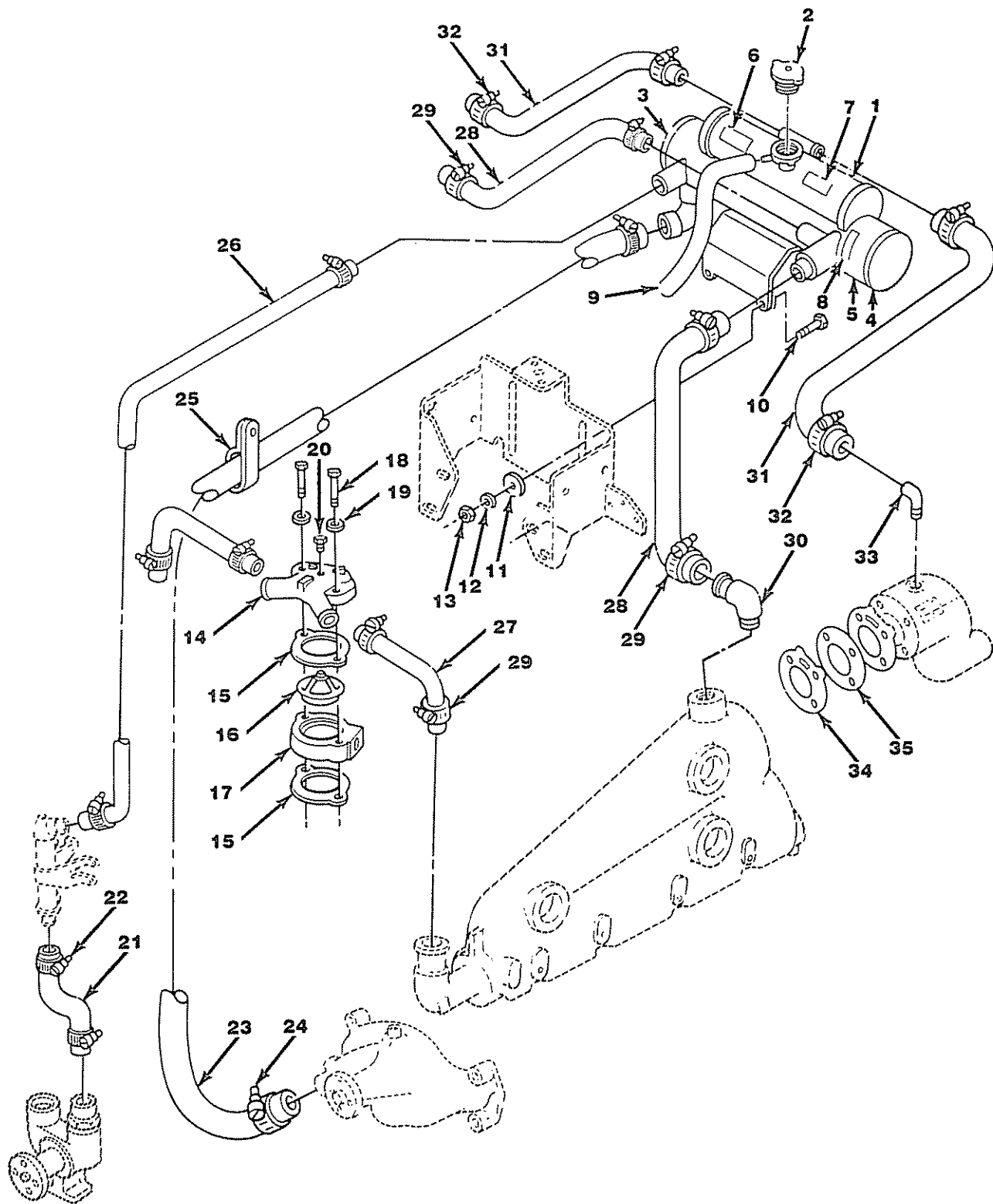


C305/350-034

MODEL C305/350 CID PARTS BOOK
TRANSMISSION AND RELATED PARTS (HURTH GEAR) – FIGURE 34

ITEM	PART NO.	DESCRIPTION	QUANTITY
1	24000	Transmission (1.50:1 Reduction)	1
1	24001	Transmission (2.00:1 Reduction)	1
1	24002	Transmission (2.50:1 Reduction)	1
1	24003	Transmission (2.85:1 Reduction)	1
2		Switch Kit , neutral start	1
3	21088	Sender , temperature alarm	1
4	91690	Coupler , prop shaft (1" shaft)	OPT
4	91691	Coupler , prop shaft (1-1/8" shaft)	OPT
4	91692	Coupler , prop shaft (1-1/4" shaft)	OPT
4	91693	Coupler , prop shaft (1-3/8" shaft)	OPT
4	91694	Coupler , prop shaft (1-1/2" shaft)	OPT
4	91695	Coupler , prop shaft (1-3/4" shaft)	OPT
4	91696	Coupler , prop shaft (2" shaft)	OPT
5	2000090	Screw , set – coupler (1-1/4")	2
6	22136	Bolt , coupling (1-1/2")	4
7	103322	Lockwasher , coupling bolt	4
8	272231	Nut , coupling bolt	4
9	30601	Fitting , transmission	2
10	22909	Hose Assembly , transmission to cooler (50-1/2")	1
11	22112	Clamp , oil line retaining	2
12	103321	Lockwasher , retaining clamp bolt	1
13	20257	Bolt , retaining clamp	1
14	137425	Elbow , hose to cooler (90-degree)	1
15	97886	Oil Cooler Assembly	1
16	137409	Fitting , hose to cooler (straight)	1
17	22910	Hose Assembly , transmission to cooler (56-1/2")	1
18	98212	Shift Bracket (Front Entry)	1
19	21150	Bolt , bracket attaching (20mm)	2
20	103320	Lockwasher , attaching bolt	2
21	98075	Shift Bracket (Rear Entry)	OPT
22	179839	Bolt , bracket attaching (1")	2
23	103321	Lockwasher , attaching bolt	2
24	21033	Cable Clip , single cable	1
24	22232	Cable Clip , dual cable kit	OPT
25	443874	Bolt , clip attaching (1/2")	2
26	22440	Nut , attaching bolt	2

MODEL C305/350 CID PARTS BOOK
 FRESH WATER COOLING COMPONENTS (STANDARD REAR MOUNT) – FIGURE 35



C305/350-035

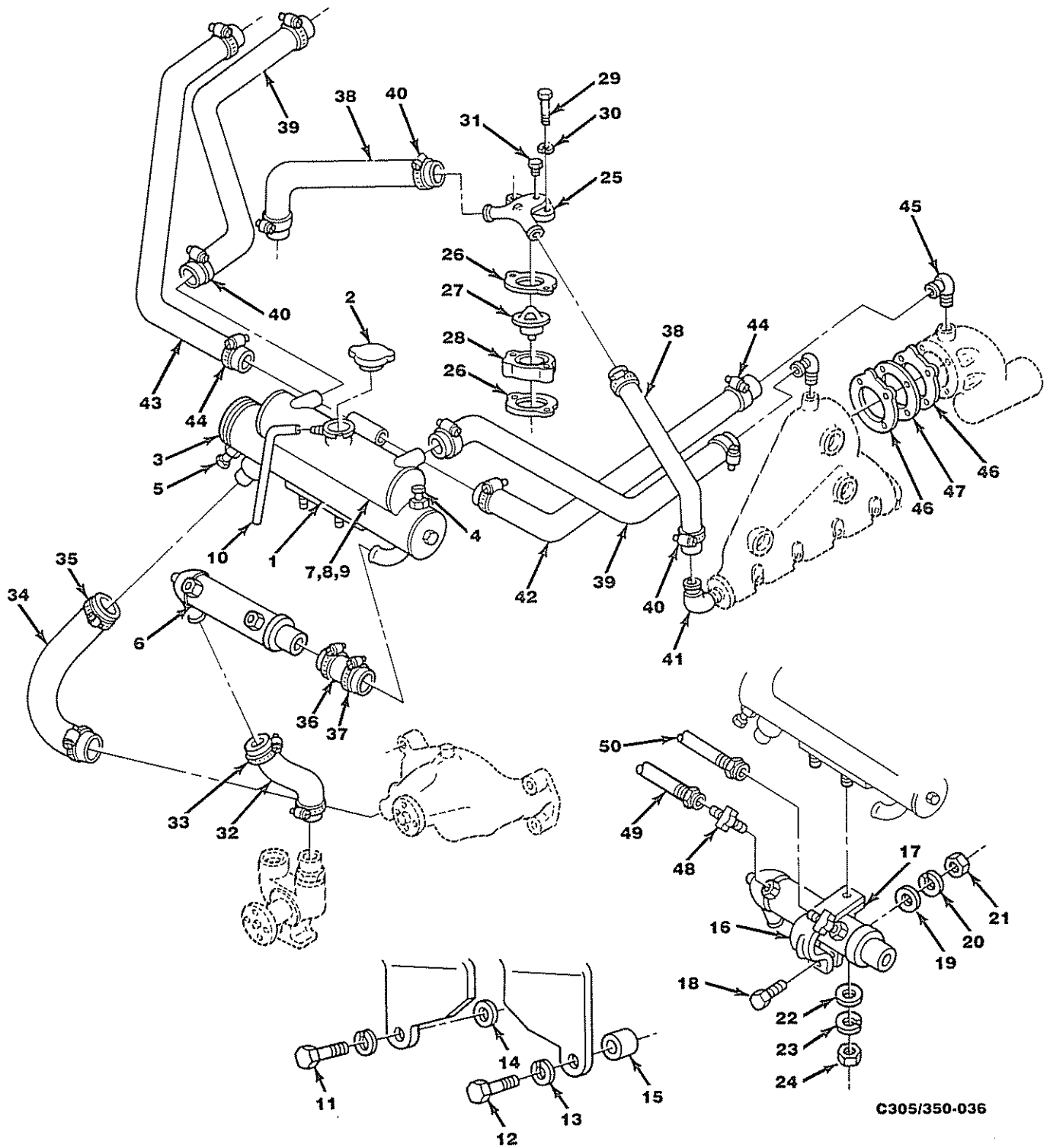
MODEL C305/350 CID PARTS BOOK

FRESH WATER COOLING COMPONENTS (STANDARD REAR MOUNT) – FIGURE 35

ITEM	PART NO.	DESCRIPTION	QUANTITY
1	97913	Heat Exchanger Assembly (STD)	1
1A	97913A	Heat Exchanger Assy (Cupro-Nickel)	OPT
2	10080	Cap, filler – heat exchanger	1
3	22163	End Cap Assembly, heat exchanger (not shown)	1
4	10972	Zinc, sacrificial (not shown)	1
5	127950	Plug, drain (not shown)	1
6	22184	Decal, (No Step)	1
7	20363	Decal, (Anti-Freeze Warning)	1
8	22199	Decal, (Protective Anode)	1
9	23083	Hose, overflow (36")	1
10	179862	Bolt, exchanger mounting (1-1/2")	2
11	33189	Washer, exchanger mounting bolt	2
12	103322	Lockwasher, exchanger mounting bolt	2
13	102636	Nut, exchanger mounting bolt	2
14	97851	Thermostat Housing – Upper	1
15	96105	Gasket, thermostat housing	2
16	97895	Thermostat (160 degree)	1
17	97452	Thermostat Housing – Lower	1
18	179851	Bolt, thermostat housing to intake (3")	2
19	103321	Lockwasher, thermostat housing bolt	2
20	127950	Plug, vent	1
21	97310	Hose, water pump to oil cooler	1
22	20228	Clamp, hose	2
23	98014	Hose, engine water pump to exchanger [48"]	1
24	20420	Clamp, hose	2
25	22118	Clamp, support (S/N 83459 & Below)	2
25A	22675	Support, hose (S/N 83460 & Above)	2
26	97903	Hose, cooler to heat exchanger [36"]	1
27	97909	Hose, thermostat housing to manifold [24"]	2
28	20865	Hose, exchanger to manifold [24"]	2
29	20228	Clamp, hose	10
30	97854	Fitting, hose (90 degree elbow)	2
31	20866	Hose, exchanger to elbows (Both) [24"]	2
32	20227	Clamp, hose	4
33	727003	Fitting, hose (90 degree elbow)	2
34	96562	Gasket, exhaust elbow to manifold	4
35	97296	Plate, water block off	2
<p>NOTE: Replacement cooling system hose can also be purchased in bulk by the foot. Part numbers and sizes are listed below.</p> <p>Hose Part No's. 20866 (1") 20864 (1-3/4") 20865 (1-1/4")</p> <p>NOTE: Numbers in brackets "[24"]" indicate minimum length that must be ordered when using bulk hose for replacement.</p> <p>NOTE: See cooling system options for cooling hose part numbers for all V-Drive and exhaust riser applications.</p>			

MODEL C305/350 CID PARTS BOOK
FRESH WATER COOLING SYSTEM (STANDARD FRONT MOUNT) – FIGURE 36

See special notes on preceding page

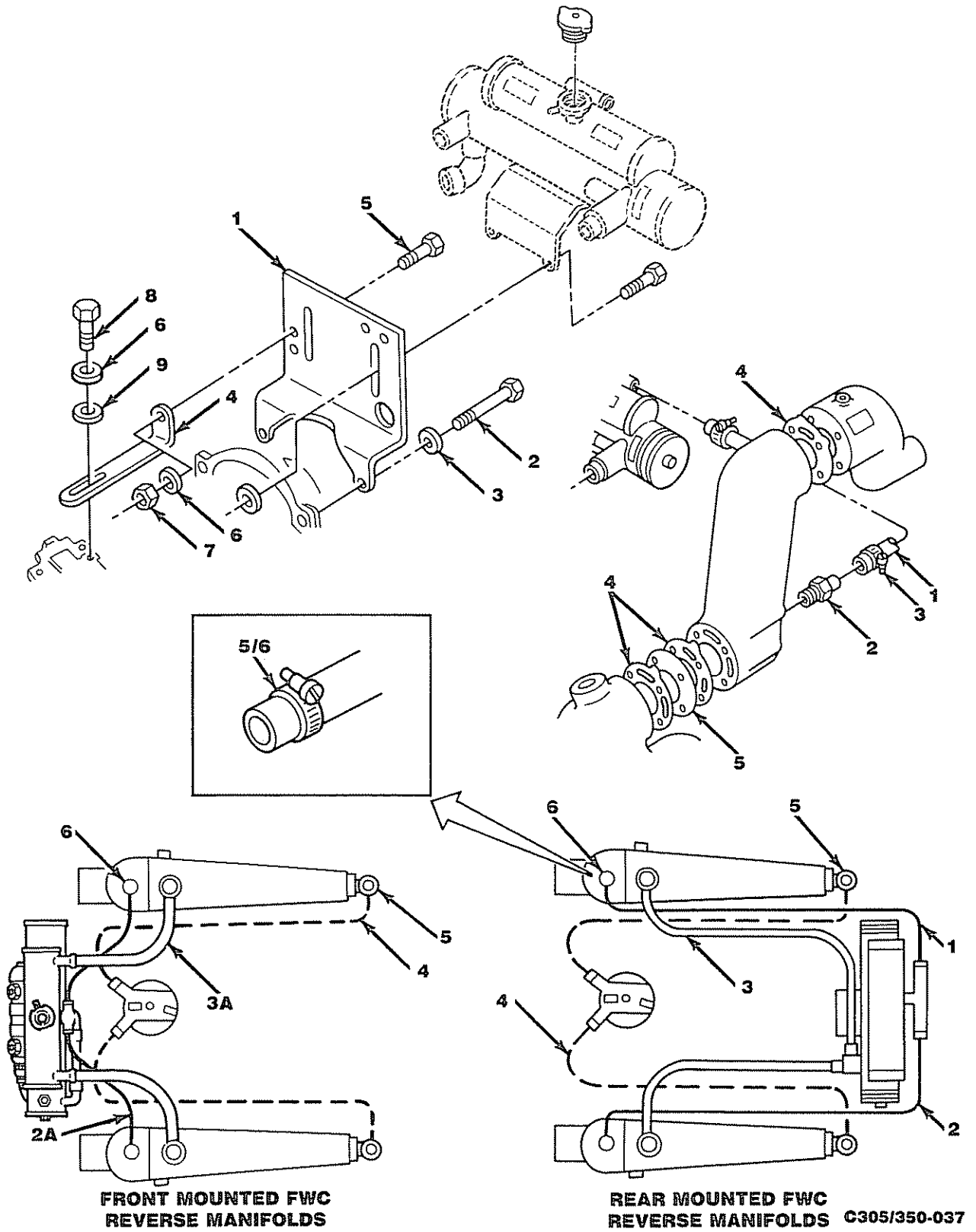


MODEL C305/350 CID PARTS BOOK

FRESH WATER COOLING SYSTEM (STANDARD FRONT MOUNT) – FIGURE 36

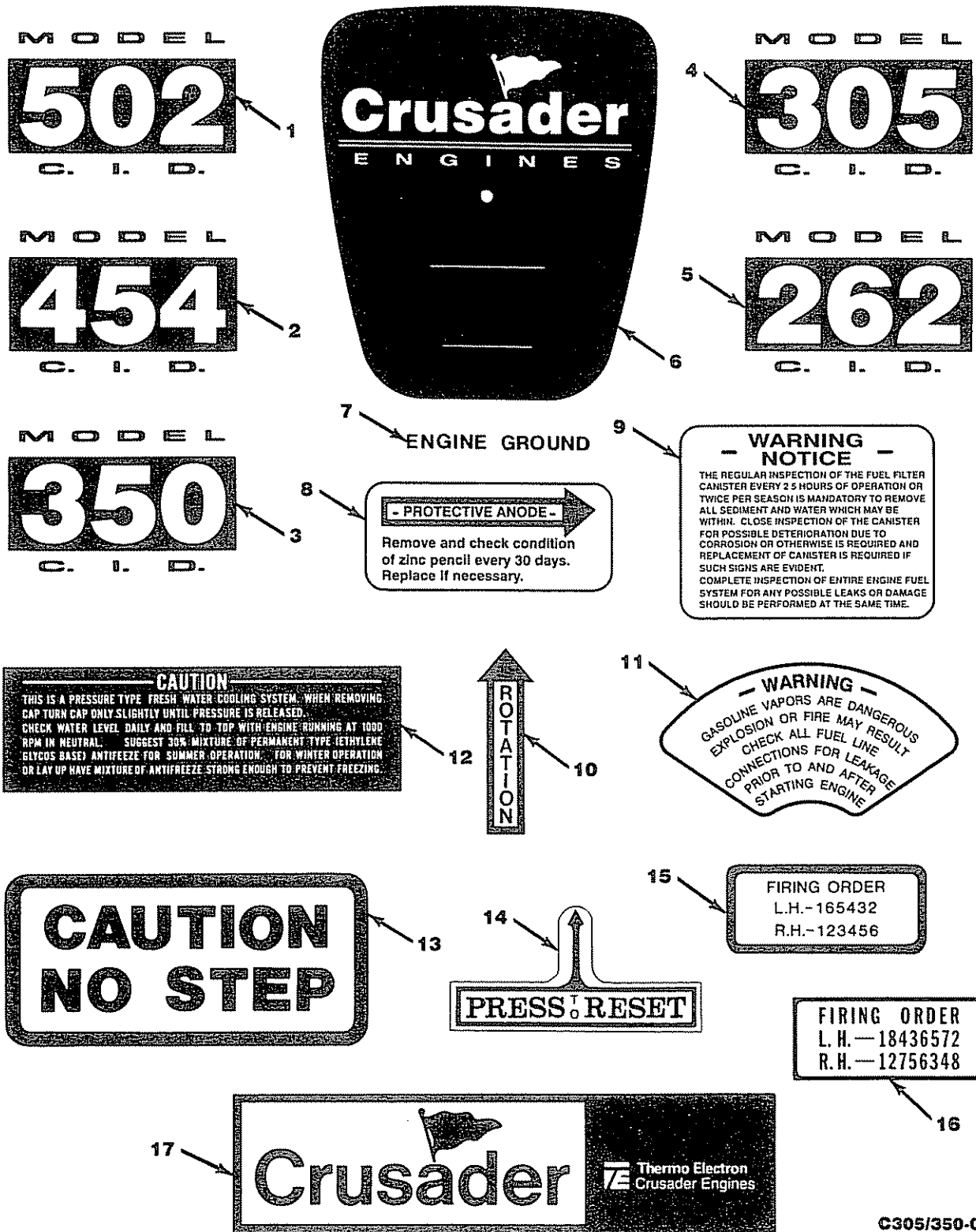
ITEM	PART NO.	DESCRIPTION	QUANTITY
1	98146	Heat Exchanger Assembly (STD)	1
1A	98146A	Heat Exchanger Assy (Cupro-Nickel)	OPT
2	10080	Cap, filler – heat exchanger	1
3	22163	End Cap Assembly, heat exchanger	1
4	10972	Zinc, sacrificial	1
5	127950	Plug, drain	2
6	97743	Oil Cooler, transmission (STD)	1
6A	97743A	Oil Cooler, transmission (Cupro-Nickel)	OPT
7	22184	Decal (No Step)	1
8	20363	Decal (Anti-Freeze Warning)	1
9	22199	Decal (Protective Anode)	1
10	23083	Hose, overflow (36")	1
11	179847	Bolt, heat exchanger mounting (2")	1
12	179848	Bolt, heat exchanger mounting (2-1/4")	1
13	103321	Lockwasher, exchanger mounting bolt	2
14	97703	Spacer, exchanger mounting (3/4")	1
15	20465	Spacer, exchanger mounting (1/8")	1
16	91466	Clamp – upper, oil cooler mounting	2
17	91465	Clamp – lower, oil cooler mounting	2
18	179795	Bolt, oil cooler mounting clamp (3/4")	2
19	103339	Washer, oil cooler mounting clamp	2
20	103319	Lockwasher, oil cooler mounting stud	2
21	109084	Nut, oil cooler mounting clamp	2
22	103341	Washer, exchanger mounting stud	2
23	103321	Lockwasher, exchanger mounting stud	2
24	102635	Nut, exchanger mounting stud	2
25	97851	Thermostat Housing – upper	1
26	96105	Gasket, thermostat housing	2
27	97895	Thermostat (160 degrees)	1
28	97452	Thermostat Housing – lower	1
29	179851	Bolt, stat housing to intake (3")	2
30	103321	Lockwasher, thermostat housing bolt	2
31	127950	Plug, vent	1
32	20865	Hose, water pump to oil cooler [12"]	1
33	20228	Clamp, hose	2
34	98067	Hose, circulation pump to exchanger	1
35	20420	Clamp, hose	2
36	20865	Hose, circulation to heat exchanger [12"]	1
37	20228	Clamp, hose	2
38	97909	Hose, stat housing to manifold [24"]	2
39	20865	Hose, exchanger to manifold [36"]	2
40	20228	Clamp, hose	10
41	97854	Fitting, hose (90-degree elbow)	4
42	20866	Hose, exchanger to elbow (Port) [36"]	1
43	20866	Hose, exchanger to elbow (Starboard) [24"]	1
44	20227	Clamp, hose	4
45	727003	Fitting, hose (90-degree elbow)	2
46	96562	Gasket, exhaust elbow to manifold	4
47	97296	Plate, water block-off	2
48	30526	Elbow, transmission oil lines (90 degrees)	2
49	22849	Oil Line, transmission to cooler (D.D.) (55")	AR
49A	22850	Oil Line, transmission to cooler (RED.) (48")	AR
49B	22851	Oil Line, transmission to cooler (V.D.) (66")	AR
49C	22911	Oil Line, transmission to cooler (B/W 5000 and Hurth) (57 1/2")	AR
50	22852	Oil Line, transmission to cooler (All) (59")	AR
50A	22912	Oil Line, transmission to cooler (B/W 5000 and Hurth) (63 1/2")	AR

Transmission
Components



MODEL C305/350 CID PARTS BOOK
FRESH WATER COOLING SYSTEM OPTIONS – FIGURE 37

ITEM	PART NO.	DESCRIPTION	QUANTITY
		Heat Exchanger Mounting Bracket (S/N 81833 and Below)	
1	97308	Bracket , heat exchanger mounting	1
2	186628	Bolt , bracket to bellhousing (1–1/2")	2
3	103321	Lockwasher , bracket mounting bolt	2
4	97309	Brace , mounting bracket to block	1
5	179839	Bolt , mounting bracket to brace	1
6	103321	Lockwasher , brace attaching bolt	2
7	102635	Nut , brace attaching bolt	1
8	186628	Bolt , brace to intake manifold (1–1/2")	1
9	103341	Washer , brace attaching bolt	1
		Reverse Manifold Cooling Hoses (FWC) (See Note)	
1	98036	+ Hose , exchanger to elbow / riser [48"] (Port)	1
2	98020	+ Hose , exchanger to elbow / riser [48"] (Starboard)	1
2A	20866	+ Hose , exchanger to elbow [24"]	2
3	20865	+ Hose , exchanger to manifold [36"]	2
3A	20865	+ Hose , exchanger to manifold [24"]	2
4	20865	+ Hose , thermostat to manifold [36"]	2
5	20228	Clamp , hose (#20 1–1/4" hose)	8
6	20227	Clamp , hose (#16 1" hose)	4
		Exhaust Riser Cooling Hoses (FWC)	
1	20866	+ Hose , exchanger to riser [48"]	2
2	97911	Fitting , hose adaptor (Straight)	2
3	20227	Clamp , hose	4
4	96562	Gasket , elbow to riser (1-Hole)	6
5	97296	Plate , water block-off	2
=====			
Factory Fresh Water Cooling Kits:			
=====			
	Kit Part No.	Description	
	22666	FWC Kit (S/N 81834 and Above)	
	22590	FWC Kit (S/N 81833 and Below)	
	22596	FWC Kit Front Mount	
	Order Additional kit listed below for V-Drive Installations:		
	22740	V-Drive Installation Kit	
	<p>+ NOTE: Cooling water hoses can also be ordered in bulk. Part numbers and sizes are listed in FWC section. Numbers in brackets "[48"] indicate minimum length which can be ordered.</p>		



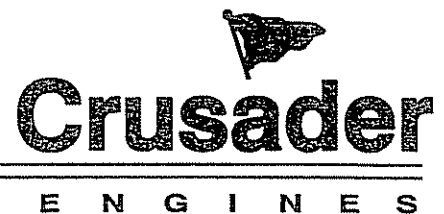
C305/350-038

MODEL C305/350 CID PARTS BOOK
ENGINE DECALS – FIGURE 38

ITEM	PART NO.	DESCRIPTION	QUANTITY
—	22758	Decal Set , complete engine (C502)	1
—	22757	Decal Set , complete engine (C454)	1
—	22756	Decal Set , complete engine (C350)	1
—	22755	Decal Set , complete engine (C305)	1
—	22754	Decal Set , complete engine (C262)	1
1	22640	Decal , engine model (502 CID)	2
2	22639	Decal , engine model (454 CID)	2
3	22638	Decal , engine model (350 CID) ■	2
4	22637	Decal , engine model (305 CID) ■	2
5	22636	Decal , engine model (262 CID)	2
6	22780	Decal , flame arrestor cover	1
7	22293	Decal , engine ground ■	1
8	22199	Decal , protective anode	AR
9	22115	Decal , fuel filter warning	1
10	22190	Decal , transmission rotation	1
11	22198	Decal , fuel system warning ■	1
12	20363	Decal , heat exchanger	1
13	22184	Decal , heat exchanger	1
14	22155	Decal , circuit breaker	1
15	97539	Decal , firing order (V-6)	1
16	97182	Decal , firing order (V-8) ■	1
17	22483	Decal , Crusader ■	AR

NOTES

To help keep your engine running trouble-free, specify only genuine Crusader Engine replacement parts.



7100 E. 15 Mile Rd.
Sterling Heights, MI 48312-4576